

Uniclass PR_40_20	CAWS N13
CI/SfB	(74)

# BlueBook

bathrooms washrooms and showers

non-residential supplement

*Armitage  
Shanks*

# Contents

<b>Introduction</b>	1:1:1
<b>WCs</b>	
Close coupled	2:1:1
Back-to-wall	2:2:1
Low level	2:3:1
Wall mounted	2:4:1
Cisterns and fittings	2:5:1
Conceala Cisterns Matrix	2:6:1
Seats	2:7:1
<b>Washbasins</b>	
Pedestal and Wall	3:1:1
Semi-countertop	3:2:1
Countertop	3:3:1
Under-countertop	3:4:1
Handrinse	3:5:1
Fittings	3:6:1
<b>Wash Troughs</b>	
Solid Surface	4:1:1
Stainless Steel	4:2:1
<b>Brassware</b>	
Contract	5:1:1
<b>Soap Dispensers</b>	
	6:1:1
<b>Showers</b>	
Valves and mixers	7:1:1
Kits and fixed heads	7:2:1
<b>Urinals</b>	
Bowls	8:1:1
Troughs and slabs	8:2:1
Fittings	8:3:1
<b>Sinks</b>	
Ceramic	9:1:1
Stainless Steel	9:2:1
Fittings	9:3:1
<b>Fountains</b>	
	10:1:1
<b>Doc M Packs</b>	
Introduction	11:1:1
WC Rooms	11:2:1
Cubicles	11:3:1
Shower/Changing	11:4:1
Urinal	11:5:1
<b>Special Care</b>	
Care products	12:1:1
Rails and hinged supports	12:2:1
<b>Hospitals</b>	
HTM/HBN 00-10	13:1:1
<b>Index</b>	
	14:1:1

*Armitage  
Shanks*

# The expert brand for experts

2017 marked the 200th anniversary of Armitage Shanks manufacturing products for commercial washrooms and bathrooms in the UK.

We have a strong position in every sector of the construction market and a wealth of knowledge we are happy to share with you.

Feel free to call, email or visit us to tap into some of our expertise...whether it be with clarification on building regulations, BREEAM or accessibility or to satisfy yourself that your combination of products will work most efficiently.

## The new Bluebook Commercial Supplement

In this supplement we are only showing products for commercial buildings. It covers products for hospitals, schools, offices, Part M, leisure, stadia and almost any commercial washroom or bathroom you are likely to need.

It includes many new products for hospitals, healthcare, schools and Part M demonstrating new features to enhance the looks and functioning of commercial buildings.

In particular you will find details of Contour 21+ and Markwik 21+ - a totally new approach for hospitals to help in the fight against hospital acquired infections.

Hopefully you will find the supplement an easy guide to cover the key information you require. For more information and full downloadable support material visit [www.thebluebook.co.uk](http://www.thebluebook.co.uk)



We have factories across Europe including our Wittlich factory in Germany ensuring quality control and engineering excellence.



# We have the solution...

No two projects are the same, each type of building carries its own unique set of demands. Armitage Shanks have the products which meet and often exceed the statutory demands required in all applications.

We have a wealth of expertise in-house to provide support and advice in every sector of the market whether your project is new-build or refurbishment.

## Business support

Call us for information on Armitage Shanks and Ideal Standard products or any other issue relating to water delivery in your project.

Telephone 0870 122 8822

Monday to Friday  
9:00am - 5:30pm

### Hospitals

Pathogenic bacteria evolve fast. Infection control specialists know that winning the fight against them demands microscopic attention to detail.

That is why we have followed a rigorous approach to our new Contour 21+ and Markwik 21+ hospital ranges to ensure they address some of the key concerns of NHS experts, microbiologists and leading universities.

Ceramics and mixer taps combine to offer our most advanced healthcare solutions yet.

### Schools

Research proves that clean, safe and functioning school toilets promote improved behaviour, and have a positive influence on children's health, willingness to learn and attendance.

Armitage Shanks have developed the Splash range of washroom sanitaryware for schools – a bright and engaging design with vibrant coloured WC seats and flush plates.

### Offices

Washrooms make a statement about a company's management attitude towards the people who work within it. The facilities will also influence a visitors opinion of the organisation and the standard the company sets for itself, clients and suppliers.

Armitage Shanks offer a comprehensive collection of office washroom products today.

### Doc M

The Equality Act 2010 requires that commercial and public buildings are suitable for use by disabled people. We have developed specialist products in consultation with national disabled groups, to meet the requirements of Doc M in an extensive range of applications.

### Hotels

Guests expect to be impressed and inspired by their room's en-suite. The hotelier, however, must look beyond aesthetics, balancing style with ease of cleaning and maintenance, performance with durability, and ergonomics with water saving, particularly in washrooms. We achieve this balance consistently and without compromise.

### Leisure

The growth in building for leisure activity is huge; from the small town museum to a music arena, from a local golf course clubhouse to a shopping mall. Whatever size the task we can provide aesthetically pleasing, easy to maintain washrooms to meet the demands.

### Stadia

Good washroom facilities for sport fans and participants are now an expectation at all venues. From large National Stadia to cost effective washrooms at local sports clubs, our products are designed for heavy demands whilst minimising water wastage.

### Essential Sector Brochures

Our invaluable guides to specialist sectors.

Call 0800 590311



Hospital brochure



Part M brochure



Washroom brochure



Schools brochure





# What's new... Contour 21+

The clinical solution that leaves nothing to chance



## CONTOUR 21+ basin

Infection control professionals know that hygiene depends on rigour.

That's why we developed our MARKWIK 21+ and CONTOUR 21+ ranges to work together – to meet regulations and provide the highest levels of infection control.

Our CONTOUR 21+ basin with SmartGuard+ has a smooth hydrophilic glaze containing antimicrobial additives, and this, together with an innovative shape, makes it our most advanced basin for healthcare yet.

SmartGuard<sup>+</sup>

### 1. Anti-splash design

The CONTOUR 21+ basin features our patented Hydrofin to significantly reduce splashing.

It is fully effective when paired with the MARKWIK 21+ mixer. The basin itself has been developed in partnership with Goodwin Hartshorn, using fluid dynamics to optimise the removal of water and debris.

### 2. High-tech hygienic surface

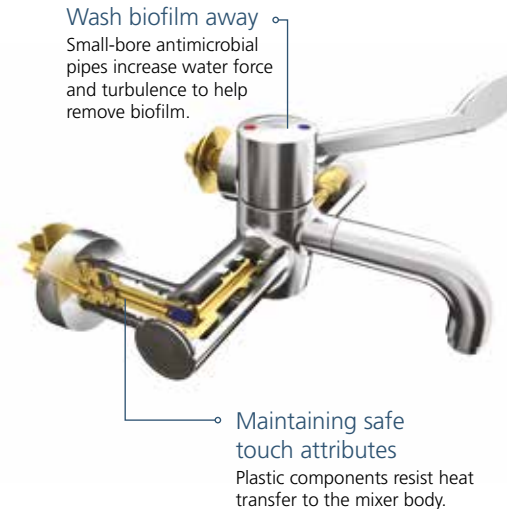
Our healthcare ceramics use an extra-smooth hydrophilic glaze SmartGuard+ – making it easier for water to drain off and harder for bacteria to adhere. SmartGuard+ is an ionic silver antimicrobial additive, which helps prevent the build-up of biofilm. This protection lasts for the lifetime of the product, making cleaning easier and reducing the threat of cross-contamination.

### 3. Better drainage

Developed from CFD experts at Sheffield Hallam University, CONTOUR 21+ features a design that improves flow and reduces water retention. A simplified waste assembly removes the “steps” and hanging points that can lead to pooling. It enables water to drain away quickly and smoothly.

## MARKWIK 21+ mixer

Research-driven innovation has created a new healthcare standard for taps and mixers, with a range of innovative patent-pending features, from autoclave-ready spouts to built-in thermal cleansing features.



Wash biofilm away  
Small-bore antimicrobial pipes increase water force and turbulence to help remove biofilm.

Maintaining safe touch attributes  
Plastic components resist heat transfer to the mixer body.



Hydropurge  
Flushes any debris and waste that gets into the system during installation.



Thermal cleanse  
Allows the maximum blend temperature stop to be overridden - for the most effective cleanse process possible.

Fewer polymers, more metal

Brass discourages bacteria. Where plastic is used, we have chosen grades that are less attractive to bacteria.



Thermostatic cartridge  
One-piece design means easier changing and cleaning. Less plastic means reduced bacteria build-up.



BioGuard  
A patented copper lined outlet. Helps reduce the risk of pseudomonas infection.



## The ultimate solution

The MARKWIK 21+ deck mixer and CONTOUR 21+ basin combination is the first truly clinical deck mixer solution. It's fully demountable and brings the advantages of the clinical hand basin to general areas.

# Call for back up...

## Business Support

Business Support is our specialist service created as a 'one stop shop' to work alongside you until your project reaches a successful conclusion. We can bring all our expertise and product knowledge to bear on your behalf, however large or small your budget is - we're effectively a partner in parallel.

Business Support is the full package, we:

- hold a huge amount of information and experience in water delivery
- can advise on issues around environment legislation and health and safety
- can match appropriate products to specific applications
- work with you to prepare estimates, costings and schedules
- track projects from proposal to completion
- advise on after care, maintenance and provide guarantees



## Free support

All you need to do is throw us a problem or two... we live to overcome issues, and we are pretty good at it. There isn't anything comparable anywhere else in the sector.

We can make life much easier for you whether you are a solo plumber or one of a team of internationally renowned architects - and it's a complimentary service.

Just call us on 0870 122 8822  
Monday to Friday 9:00 - 5:30pm

# or come and meet us



The Bath Room is a unique space and resource centre for architects and interior designers in the heart of London's Clerkenwell.

The experienced team are available to offer practical advice in the planning and designing of bathrooms and washrooms for any project from luxury hotels to offices and residential properties.

## Informal face-to-face consultations

The Bath Room provides:

- a relaxed, sales-free environment where you can experience products hands-on
- suggestions for different product and layout combinations
- practical help with regulations and budget planning
- a meeting room to bring your clients
- a presentation area where proposals can be mocked-up for you

And of course, there's good tea and coffee.



## Complimentary events and presentations

There will be a programme of CPD (Continual Professional Development) presentations and features on relevant subjects throughout the year.

## Get in touch

The Bath Room  
2nd Floor  
99 Charterhouse Street  
London EC1M 6HR

Tel: +44 (0) 20 7253 4776  
(Mon - Fri 9:00am - 5:30pm)  
Fax: +44 (0) 20 7250 1072

# Using the Blue Book...

The Blue Book by Ideal Standard and Armitage Shanks is the industry bible, with over 5,000 dedicated listings, it has become the UK's largest collection of bathroom and washroom products. This non-residential supplement features the latest editions to this extensive range.

**Brassware**  
**Contour 21+**  
thermostatic sequential basin mixer

Deck mounted thermostatic basin mixer with lever operation for use on one taphole basins. Long lever gives precise control.

November 2017  
Product No. Contour  
Date of Issue

ARMITAGE SHANKS

Commercial and Doc M use  
Anti-vandal laminar flow outlet  
Copper or flexible tails  
Water saving

**Illustrated**  
A6688 Contour 21+ 1 hole thermostatic basin mixer, sequential lever with flexible tails

**Material**  
Chrome Plated Brass

**Weight**  
2.1kg

**Finishes**  
Chrome (AA)

**Options**  
A6697 Contour 21+ 1 hole thermostatic basin mixer, sequential lever with copper tails

**Special notes**  
Single sequential lever for on/off operation and temperature control. Supplied with service valves which include isolators, strainers, check valves, flow regulators and 15mm compression connections. Temperature factory set to 40±1°C. Suitable for high and low pressure systems. Factory fitted 3.8 litres per minute flow regulator in an anti-vandal housing. 1.9 litres per minute Eco spray outlet also supplied. Clamping ring with three fixing screws for added security. WRAS NO. 1705011

15mm compression

5 : 1 : 9

Armitage Shanks

Quickbite product overview

Product image reference

Clear specifier information

Colour coded sector locators

Detailed specification diagrams

Quick reference icons

# ...online

We've put the Blue Book online, powered by IdealSpec it offers a specifier tool that generates documentation in NBS format and downloadable CAD files. It's an interactive professional specification system that is unique to Armitage Shanks and Ideal Standard.

# and on the move...



For the busy professional working on site the new Blue Book website has been optimised for use on smartphones.

# The Power of BIM

Building Information Modelling (BIM) is rapidly transforming complex building processes - speeding project completion, lowering costs and improving overall quality at the same time.

Armitage Shanks is fully committed to supporting those in the construction sector that use BIM.

## Register online

Register online and download BIM objects in the format of your choice.

## BIM objects

BIM objects created from original manufacture drawings for realistic high definition images - ability to render in seconds.

## 5000 models

Over 5,000 product SKUs modelled to the most demanding specification.

## Icon key



Residential



Hospitals & Healthcare



Education



Hotels



Public Places



Disabled Access



Spacesaving



Anti-vandal



Water Savings



Doc M Compliant

## Doing our bit...

From innovation through to the manufacturing process and finished product, we are continually identifying new ways to preserve the environment.

- we design products, processes and operating facilities to conserve resources and energy
- we have a clearly defined environmental policy, whether it's waste or water, we aim to reduce, re-use, re-cycle and recover
- we integrate environmental protection into all of our activities and processes, through an Environmental Management System compatible with the International Standard ISO 14001 within each of our business units
- we've invested over £10m at our manufacturing plants over the last 10 years to improve our efficiency, reduce waste and conserve resources
- we regularly review our policies to ensure they continue to be appropriate to our production activities - a common value shared with each employee and all our facilities
- waste from our plants are recycled as raw materials for use as tiles and bricks and where possible we take re-cycled products and use them in our product



# What price water



Ideal Standard and Armitage Shanks are committed to the conservation of water resources.

For over 40 years Ideal Standard and Armitage Shanks have been at the forefront of development with ground breaking water efficient technologies.

We believe it makes good environmental and financial sense to use water efficiently, maximising its benefit and minimising its wastage. Our designers and engineers have produced a collection of products whose water saving credentials are matched by their style and performance.

These include basin mixers with factory fitted 5 litre per minute flow regulators, low flush WC suites with 4 and 2.6 litre dual flush and our popular baths include water saving models with capacities as low as 130 litres.

Armitage Shanks and Ideal Standard also manufacture a wide choice of sanitaryware and fittings to meet all aspects of Part G building regulations for new homes.

Environmental and water saving considerations are increasing in importance.

We can help you achieve the best BREEAM ratings as well as offer advice on how you can save money on projects by using products listed on the Defra Water Technology List.

The Water Technology List is compiled by Defra to support the Enhanced Capital Allowance Scheme. The scheme enables companies to claim 100% first year capital allowance against any water saving product listed on the scheme - including installation costs. Look out for this logo for WTL products.



## Water Saving

# Water Label



The European Bathroom Forum recognises the crucial role they can play, in educating the end user, to make an informed choice during the selection of water and energy using bathroom products, via ONE Labelling Scheme. It is a well researched fact, that 70% of water used within the domestic environment is associated with bathing and washing functions and over 25% of consumer energy bills are linked to heating this hot water.

The Water Label is a voluntary, cost effective and flexible labelling scheme for the reduction of water consumption.

The scheme provides easy access to a database of bathroom products when installed and used correctly will use less water, save energy and save money.

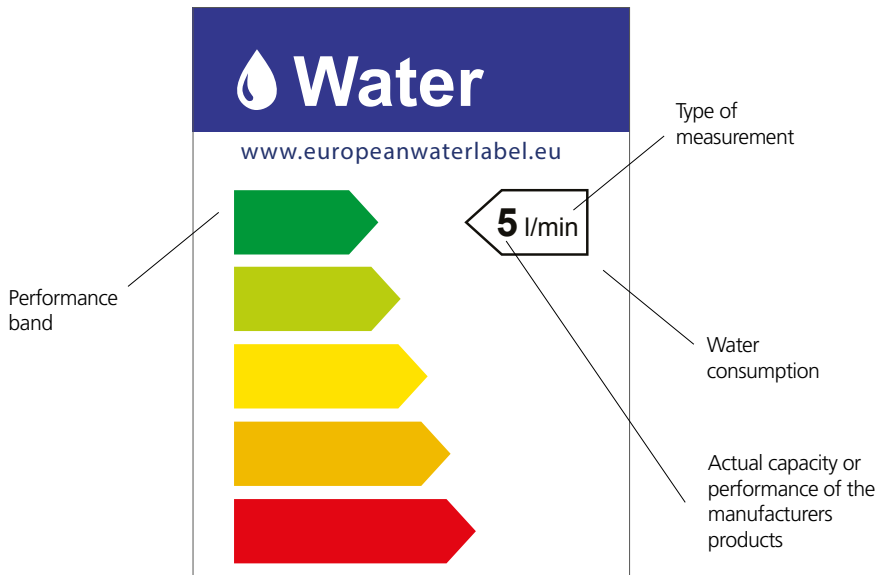
Scheme covers the following products areas:

- Baths
- Shower controls
- Grey Water
- Kitchen taps
- Cisterns
- Basin Taps
- Handsets
- WC Suites
- Urinal Controllers

Clear traffic light system label, shows water consumption and rating.

Products with water label can be seen on the water label web site [www.europeanwaterlabel.eu/](http://www.europeanwaterlabel.eu/)

Products carrying the water label are highlighted in the Bluebook.





# WCs



Close Coupled	2:1:1
Back-to-wall	2:2:1
Low Level	2:3:1
Wall Mounted	2:4:1
Cisterns & Fittings	2:5:1
Cisterns Matrix	2:6:1
Seats	2:7:1

## Icon key

-  Residential
-  Public Places
-  Water Savings
-  Hospitals & Healthcare
-  Disabled Access
-  Doc M Compliant
-  Education
-  Spacesaving
-  Hotels
-  Anti-vandal

November 2017	
Uniclass PR_40_20	CAWS N13
CI/SFB	(74)

November 2017	
Uniclass PR_40_20	CAWS N13
CI/SFB	(74)

WCs  
Close Coupled

# WCs

## Close Coupled

# Contour 21

close coupled raised height  
75cm projection

Raised height universal access, close coupled WC suitable for use with wheelchair or by ambulant disabled people. Box rim, horizontal outlet, close coupled 75cm projection.



- Domestic and commercial use
- Doc M compliant
- Raised height WC
- Secure top fix seat
- Water efficient
- Seat or seat and cover available in 4 colours

**Illustrated**

- S3054** Contour 21 raised height close coupled WC pan, 75cm projection with horizontal outlet
- S3654** Contour 21 close coupled delay fill, syphon cistern 4.5 litre single flush with bottom supply and internal overflow, secure cover fastener, no lever
- S4065** Contour 21 seat and cover, top fixing hinges
- S4420** Spatula Cistern Lever

**Material**

Vitreous China

**Weight**

WC pan 25.8kg  
Cistern 15.1kg

**Finishes**

Available in White (01)  
Seats available in White (01) Blue (36) Grey (L) Charcoal (RN)

**Standards**

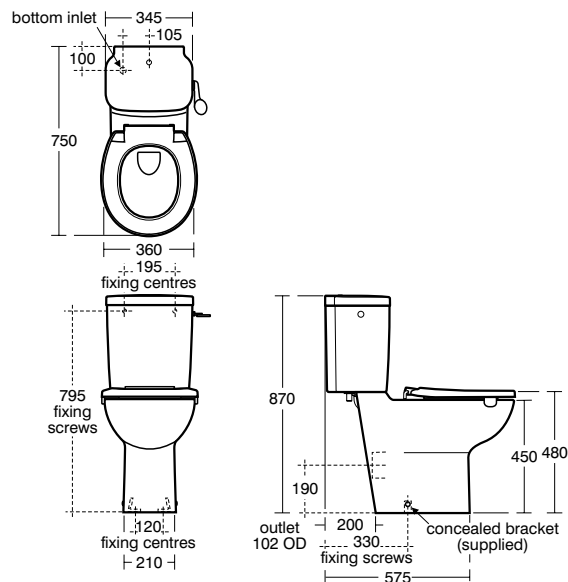
Vitreous china to BS 3402. WC pan to BS EN 997 and BS EN 33

**Options**

- S4067** Contour 21 seat retaining buffers, white
- S4305** Panekta outlet connector, finned pattern to convert horizontal outlet WCs to P trap
- S4066** Contour 21 seat no cover, top fixing hinges and retaining buffers
- S4300** Panekta outlet connector, finned pattern to convert horizontal outlet WCs to S or turned P trap

**Special notes**

WC screwed to floor with concealed brackets (supplied) and cistern screwed to wall



# Contour 21 Splash

close coupled schools 305

Splash WCs designed with the latest water saving technology and incorporating rimless flushing to help improve hygiene.



- Key Stage 1
- 4/2.6 dual flush
- Coordinates with complete Splash range
- Rimless
- Lever or push button options
- Seat and cover or seat rim only available in 4 colours
- Water efficient

**Illustrated**

- S3122** Contour 21 Splash 305mm back-to-wall rimless bowl
- S3260** Contour 21 Splash schools close coupled cistern for 305 / 355 bowls 4/2.6, 6/4 litre - dual flush lever
- S4542** Contour 21 Splash seat ring only for 305mm bowls

**Material**

Vitreous China

**Weight**

WC pan 16.3kg  
Cistern 12.0kg  
Seat 1.2kg

**Finishes**

Available in White (01)  
Seats available in Yellow (79), Red (GQ), Light Blue (36), White (01)

**Standards**

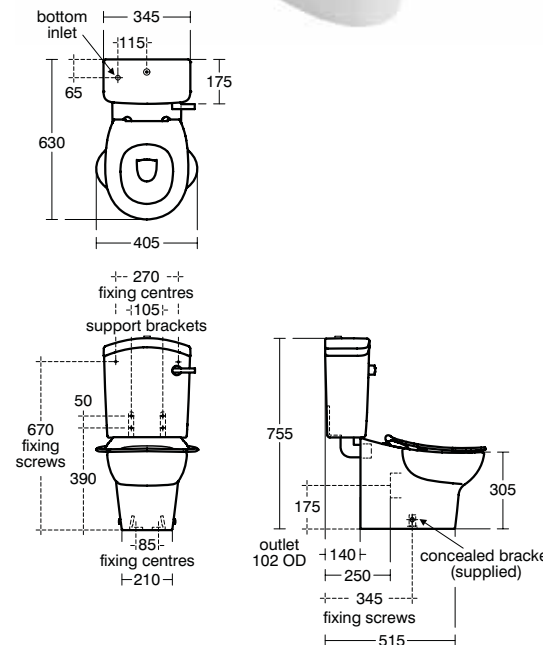
Vitreous china to BS 3402. WC suite to BS EN 997 and BS EN 33

**Options**

- S3261** Contour 21 Splash schools close coupled cistern for 305 / 355 bowls, 4/2.6, 6/4 litre - dual push button
- S4305** Panekta outlet connector, finned pattern to convert horizontal outlet WCs to P trap
- S4300** Panekta outlet connector, finned pattern to convert horizontal outlet WCs to S or turned P trap
- S4533** Contour 21 Splash seat and cover for 305mm bowls

**Special notes**

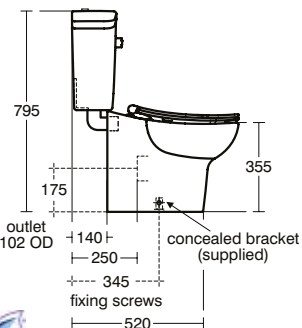
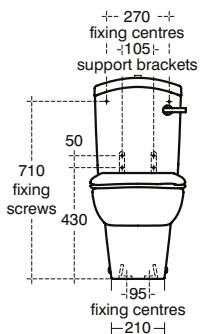
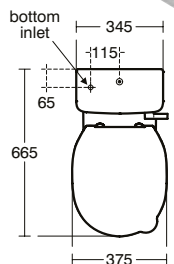
WC Pan screwed to floor with concealed brackets (supplied) and cistern screwed to wall.



# Contour 21 Splash

## close coupled schools 355

Splash WCs designed with the latest water saving technology and incorporating rimless flushing to help improve hygiene.



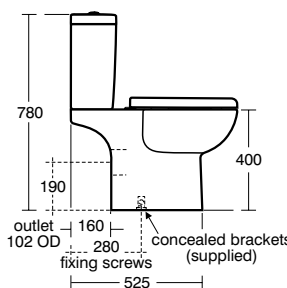
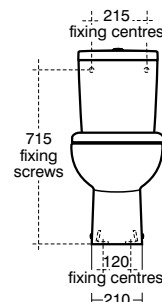
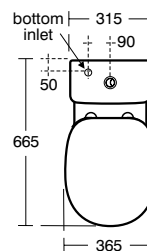
2 : 1 : 4

Tel 0870 122 8822 Fax 0870 122 8282  
Email [info@thebluebook.co.uk](mailto:info@thebluebook.co.uk)  
Online search, specify & CAD: [www.thebluebook.co.uk](http://www.thebluebook.co.uk)

# Profile 21

## close coupled

Contemporary close coupled WC suite for domestic or commercial applications.



2 : 1 : 5

Tel 0870 122 8822 Fax 0870 122 8282  
Email [info@thebluebook.co.uk](mailto:info@thebluebook.co.uk)  
Online search, specify & CAD: [www.thebluebook.co.uk](http://www.thebluebook.co.uk)

Domestic and commercial use  
Water efficient  
Slow close seat option

**Illustrated**

- S3092** Profile 21 WC pan close coupled with horizontal outlet
- S3094** Profile 21 close coupled cistern 4/2.6 litre dual flush push button valve, bottom supply and internal overflow
- S4103** Profile 21 seat and cover

**Material**

Vitreous China

**Weight**

Cistern 11.9kg  
WC pan 23.2kg  
WC Seat and Cover 2.8kg

**Finishes**

Available in White (01)

**Standards**

Vitreous china to BS 3402

**Options**

- S4102** Profile 21 seat and cover, slow close
- S3093** Profile 21 close coupled cistern, 6/4 litre dual flush push button valve bottom supply and internal overflow
- S4305** Panekta outlet connector, finned pattern to convert horizontal outlet WCs to P trap
- S4300** Panekta outlet connector, finned pattern to convert horizontal outlet WCs to S or turned P trap

**Special notes**

WC screwed to floor using concealed brackets (supplied) and cistern screwed to wall



Domestic and commercial use  
Water efficient  
Push button dual flush

**Illustrated**

- E8963** Sandringham 21 WC pan with horizontal outlet  
**E8967** Sandringham 21 close coupled 4/2.6 litre dual flush valve, bottom supply and internal overflow  
**E1316** Sandringham 21 seat and cover  
**S9101** Domex screws (pair)

**Material**

Vitreous China

**Weight**

WC pan 17.4kg  
Cistern 14.0kg

**Finishes**

Available in White (01)

**Standards**

Vitreous china to BS 3402

**Options**

- E8966** Sandringham 21 close coupled 6/4 litre dual flush valve, bottom supply and internal overflow  
**E1317** Sandringham 21 seat and cover metal hinges  
**E1319** Sandringham 21 seat no cover metal hinges  
**S2985** Sandringham 21 seat and cover, slow close  
**S4305** Panekta outlet connector, finned pattern to convert horizontal outlet WCs to P trap  
**S4300** Panekta outlet connector, finned pattern to convert horizontal outlet WCs to S or turned P trap

**Special notes**

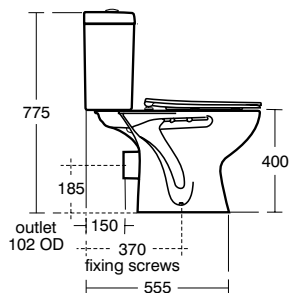
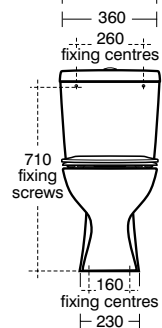
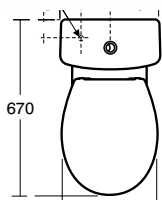
WC screwed to floor and cistern screwed to wall



# Sandringham 21

## close coupled

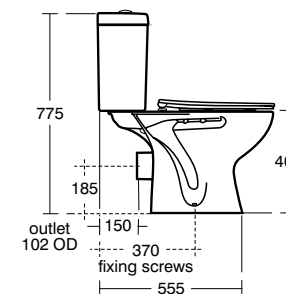
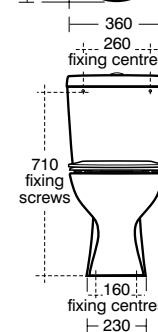
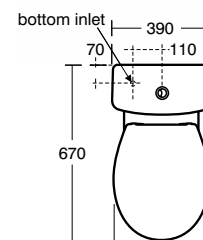
Sandringham 21 incorporates a wide range of sanitaryware, bathing and brassware options.



# Sandringham 21

## close coupled lever

Sandringham 21 incorporates a wide range of sanitaryware, bathing and brassware options.



Domestic and commercial use  
Water efficient  
Lever flush  
Spatula lever option

**Illustrated**

- E8963** Sandringham 21 WC pan with horizontal outlet  
**E8968** Sandringham 21 close coupled cistern 6 or 4 litre single flush syphon bottom supply and internal overflow  
**E1316** Sandringham 21 seat and cover  
**S9101** Domex screws (pair)

**Material**

Vitreous China

**Weight**

WC pan 17.4kg  
Cistern 14.0kg

**Finishes**

Available in White (01)

**Standards**

Vitreous china to BS 3402

**Options**

- E1317** Sandringham 21 seat and cover metal hinges  
**E1319** Sandringham 21 seat no cover metal hinges  
**S2985** Sandringham 21 seat and cover, slow close  
**E8763** Sandringham 21 close coupled cistern 6 or 4 litre single flush syphon bottom supply and internal overflow, with cover fastener  
**E9002** Sandringham 21 close coupled cistern with spatula lever 6 or 4 litre single flush (reversible) syphon bottom supply and internal overflow  
**S4305** Panekta outlet connector, finned pattern to convert horizontal outlet WCs to P trap  
**S4300** Panekta outlet connector, finned pattern to convert horizontal outlet WCs to S or turned P trap

**Special notes**

WC screwed to floor and cistern screwed to wall (not supplied)





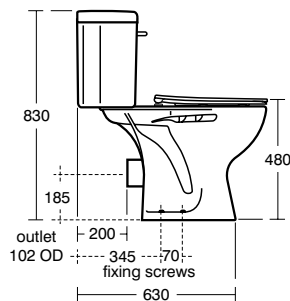
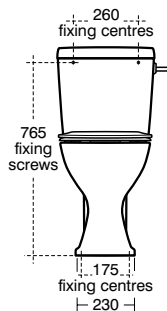
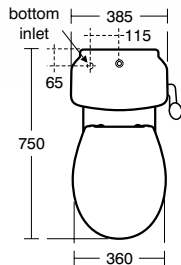
ARMITAGE SHANKS

# Sandringham 21

## close coupled raised height

### 75cm projection

Sandringham 21 incorporates a wide range of sanitaryware, bathing and brassware options. The extended cistern gives an overall 750mm projection for Doc M compliance.



**Illustrated**

- E8834** Sandringham 21 raised height close coupled WC - horizontal outlet
- E8987** Sandringham 6 litre single flush bottom supply cistern to achieve 750mm projection
- E1316** Seat and cover, normal close
- S9102** Domex screws (set of 4)

**Material**

Vitreous China

**Weight**

WC pan 19.1kg  
WC Seat and Cover 1.3kg  
Cistern 14.9kg

**Finishes**

Available in White (01)

**Standards**

Vitreous china to BS 3402, BS EN 997 and BS EN 33

**Options**

- E8966** Sandringham 21 close coupled 6/4 litre dual flush valve, bottom supply and internal overflow
- S4063** Bakasan seat no cover with stainless steel rod and metal top fix hinges
- E8967** Sandringham 21 close coupled 4/2.6 litre dual flush valve, bottom supply and internal overflow
- E8968** Sandringham 21 close coupled cistern 6 or 4 litre single flush syphon bottom supply and internal overflow
- E9002** Sandringham 21 close coupled cistern with reversible spatula lever 6 or 4 litre single flush syphon bottom supply and internal overflow
- S2985** Sandringham 21 seat and cover, slow close
- E1317** Sandringham 21 seat and cover, metal hinges, normal close
- E1319** Sandringham 21 seat no cover, metal hinges, normal close

**Special notes**

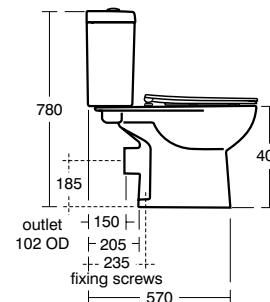
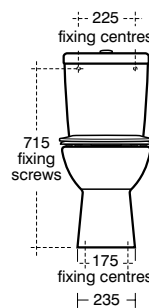
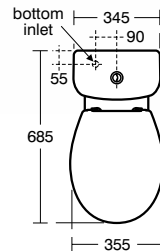
WC screwed to floor and cistern screwed to wall

ARMITAGE SHANKS

# Sandringham 21

## smooth

Sandringham 21 incorporates a wide range of sanitaryware, bathing and brassware options combining simple contemporary design with great value for money. This additional contemporary WC offers an easy clean smooth sided bowl and sleeker cistern



**Illustrated**

- E8221** Sandringham 21 Smooth close coupled WC pan with horizontal outlet
- E8999** Sandringham 21 Smooth close coupled 4/2.6 litre dual flush valve, bottom supply and internal overflow
- E1316** Seat and cover, normal close
- S9101** Domex screws (pair)

**Material**

Vitreous China

**Weight**

WC pan 20.0kg  
Cistern 14.0kg

**Finishes**

Available in White (01)

**Standards**

Vitreous china to BS 3402  
WC Pan to BS EN 987 and BS EN 33

**Options**

- E8998** Sandringham 21 Smooth close coupled 6/4 litre dual flush valve, bottom supply and internal overflow
- S2985** Sandringham 21 seat and cover, slow close
- E1317** Sandringham 21 seat and cover, metal hinges, normal close
- E1319** Sandringham 21 seat no cover, metal hinges, normal close
- S4305** Panekta outlet connector, finned pattern to convert horizontal outlet WCs to P trap
- S4300** Panekta outlet connector, finned pattern to convert horizontal outlet WCs to S or turned P trap

**Special notes**

WC screwed to floor and cistern screwed to wall



November 2017	
Uniclass PR_40_20	CAWS N13
CI/SFB	(74)

November 2017	
Uniclass PR_40_20	CAWS N13
CI/SFB	(74)

# WCs

## Back-to-Wall

# Contour 21+ back-to-wall

Contour 21+ WC pans include new, improved rimless technology and a hydrophilic, smooth glaze with anti-microbial properties along with a cleaner, updated design.

SmartGuard\*



Commercial and domestic use

Hydrophilic glaze with  
anti-microbial properties

New rimless technology

Raised outlet for multiple  
installations

Water efficient

New slim soft close seat

**Illustrated**

**S0439** Contour 21+ back-to-wall rimless WC pan with raised horizontal outlet and anti-microbial glaze

**S3643** Conceala 2 cistern 4.5/3 or 4/2.6 litre dual flush valve side supply and internal overflow, alternative height plastic flushbends

**S0670** Contour 21+ slim seat and cover

**E4463** Karisma flush plate, dual flush, chrome plated, unbranded

**Material**

Vitreous China

**Weight**

WC pan 23.9kg

Cistern 2.7kg

**Finishes**

Available in White with SmartGuard (HY)

Seat available in White (01)

**Standards**

Vitreous china to BS 3402. WC pan to BS EN 997 and BS EN 33

**Options**

**S3640** Conceala 2 cistern 4.5 litre single flush valve side supply and internal overflow, alternative height plastic flushbends

**S3617** Conceala 2 cistern 6 or 4.5 litre single flush syphon side supply and internal overflow plastic flushbend, long CP lever

**S4512** Finger push button pneumatic, stainless steel for 31mm maximum thickness partition

**S4305** Panekta outlet connector, finned pattern to convert horizontal outlet WCs to P trap

**S4300** Panekta outlet connector, finned pattern to convert horizontal outlet WCs to S or turned P trap

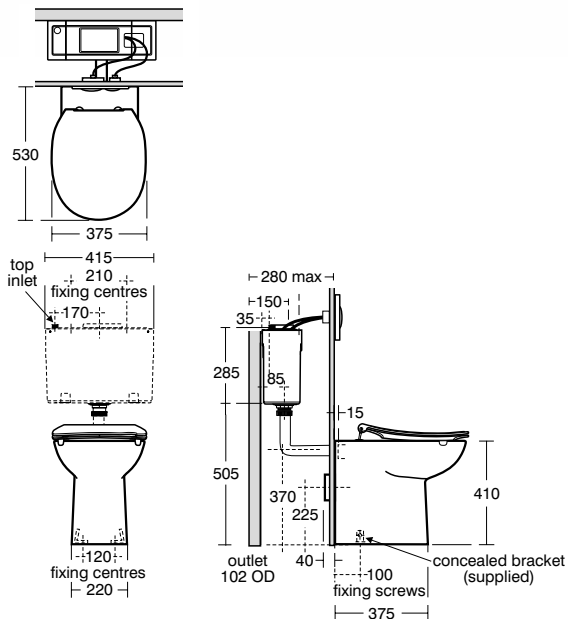
**S4066** Contour 21 seat no cover, top fixing hinges and retaining buffers

**Special notes**

WC pan screwed to floor using concealed brackets (supplied)

Joint to wall sealed with waterproof sealant (not supplied)

When using a lever the concealed cistern should be raised to 565mm from floor to underside of cistern.



2 : 2 : 2

Tel 0870 122 8822 Fax 0870 122 8282

Email [info@thebluebook.co.uk](mailto:info@thebluebook.co.uk)Online search, specify & CAD: [www.thebluebook.co.uk](http://www.thebluebook.co.uk)

# Contour 21+ back-to-wall raised height

Contour 21+ WC pans include new, improved rimless technology and a hydrophilic, smooth glaze with anti-microbial properties along with a cleaner, updated design.

SmartGuard\*



Commercial and domestic use

Hydrophilic glaze with  
anti-microbial properties

New rimless technology

Raised outlet for multiple  
installations

Water efficient

**Illustrated**

**S0440** Contour 21+ raised height back-to-wall rimless WC pan with raised horizontal outlet and anti-microbial glaze

**S3617** Conceala 2 cistern for 4.5 litre single flush syphon side supply and internal overflow plastic flushbend, long CP lever

**S4066** Contour 21 seat no cover, top fixing hinges and retaining buffers

**Material**

Vitreous China

**Weight**

WC pan 22.6kg, Cistern 2.7kg

**Finishes**

Available in White with SmartGuard (HY)

Seats available in White (01) Blue (36) Grey (LJ) Charcoal (RN)

**Standards**

Vitreous china to BS 3402. WC pan to BS EN 997 and BS EN 33

**Options**

**S3640** Conceala 2 cistern 4.5 litre single flush valve side supply and internal overflow, alternative height plastic flushbends

**S3643** Conceala 2 cistern 4.5/3 or 4/2.6 litre dual flush valve side supply and internal overflow, alternative height plastic flushbends

**S4066** Contour 21 seat no cover, top fixing hinges and retaining buffers

**S4065** Contour 21 seat and cover, top fixing hinges

**S4513** Palm push button Pneumatic, stainless steel for 31mm maximum thickness partition

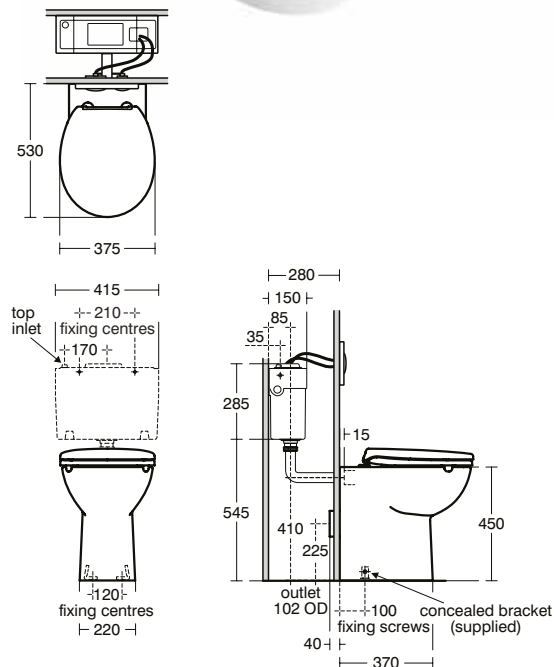
**S4305** Panekta outlet connector, finned pattern to convert horizontal outlet WCs to P trap

**S4300** Panekta outlet connector, finned pattern to convert horizontal outlet WCs to S or turned P trap

**E4463** Karisma flush plate dual flush, chrome, unbranded

**Special notes**

WC pan screwed to floor using concealed brackets (supplied). Joint to wall sealed with waterproof sealant (not supplied). When using a lever the concealed cistern should be raised to 565mm from floor to the underside of the cistern.



2 : 2 : 3

Tel 0870 122 8822 Fax 0870 122 8282

Email [info@thebluebook.co.uk](mailto:info@thebluebook.co.uk)Online search, specify & CAD: [www.thebluebook.co.uk](http://www.thebluebook.co.uk)

# Contour 21+

## back-to-wall 70 - 75cm projection

Contour 21+ WC Pans include new, improved rimless technology and a hydrophilic, smooth glaze with anti-microbial properties, along with a cleaner, updated design.



Commercial and domestic use

Hydrophilic glaze with anti-microbial properties

New rimless technology

Raised outlet for multiple installations

Water efficient

### Illustrated

**S0438** Contour 21+ 75cm projection back-to-wall rimless WC pan with horizontal outlet and anti-microbial glaze

**S3617** Conceala 2 cistern 6 or 4.5 litre single flush syphon side supply and internal overflow plastic flushbend, long CP lever

**S4066** Contour 21 seat no cover, top fixing hinges and retaining buffers

**S6466** Contour 21 back support rail for 75cm projection WC

**S6884** Cushion for back support with clips, new design

**S4302** Contour 21 flushpipe constructed, necessary for installation

### Material

Vitreous China

### Weight

WC pan 35.4kg

WC Cushion 3.9kg

Cistern 2.7kg

### Finishes

Available in White with SmartGuard (HY)

Seats available in White (01) Blue (36) Grey

(LJ) Charcoal (RN)

### Standards

Vitreous china to BS 3402. WC pan to BS EN 997 and BS EN 33

*Continued on next page...*



# Contour 21+

## back-to-wall 70 - 75cm projection

### Options

**S0437** Contour 21+ 70cm projection back-to-wall rimless WC pan with horizontal outlet and anti-microbial glaze

**S3640** Conceala 2 cistern 4.5 litre single flush valve side supply and internal overflow, alternative height plastic flushbends

**S3643** Conceala 2 cistern 4.5/3 or 4/2.6 litre dual flush valve side supply and internal overflow, alternative height plastic flushbends

**S4504** Contemporary flush plate dual flush, Armitage Shanks logo, stainless steel for Conceala 2 cisterns

**S4065** Contour 21 seat and cover, top fixing hinges

**S4067** Contour 21 seat retaining buffers

**S4512** Finger push button pneumatic, stainless steel for 31mm maximum thickness partition

**S4513** Palm push button Pneumatic, stainless steel for 31mm maximum thickness partition

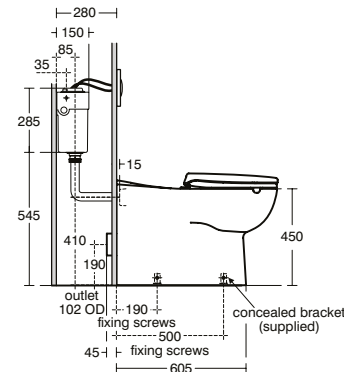
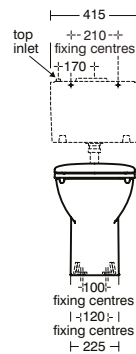
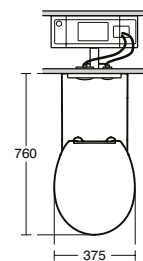
**S4305** Panekta outlet connector, finned pattern to convert horizontal outlet WCs to P trap

**S4300** Panekta outlet connector, finned pattern to convert horizontal outlet WCs to S or turned P trap

**S6481** Contour 21 back support rail for 70cm projection WC, 40 x 17 x 35mm diameter tube

### Special notes

WC pan screwed to floor using concealed brackets (supplied). Joint to wall sealed with waterproof sealant (not supplied)







# Perth 2 back-to-wall

Back-to-wall, washdown WC pan in polished stainless steel. Particularly suitable for schools and anti vandal applications.



November 2017

Uniclass PR_40_20	CAWS N13
C/S/FB	(74)

## ARMITAGE SHANKS

- Commercial use
- Stainless steel
- Anti vandal
- With or without seat
- For concealed cistern

### Illustrated

- S3442** Perth 2 back inlet WC pan with horizontal outlet with black seat and cover
- S3622** Conceala 2 cistern 6 litre single flush valve side supply and internal overflow, alternative height plastic flushbends, no push button
- S4512** Finger push button pneumatic, stainless steel for 31mm maximum thickness partition

**Material**  
Stainless Steel

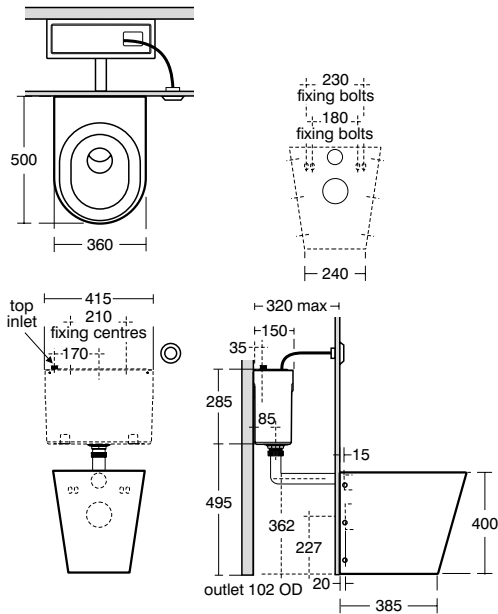
**Weight**  
WC pan 10kg  
Cistern 2.7kg

**Finishes**  
Available in Stainless Steel (MY)

**Standards**  
Manufactured from 1.2 – 1.5mm Stainless Steel 1.4301 (304) to BS EN 10088: Part2:2005. Back Plate is 3.0mm

- Options**
- S3443** Perth 2 back-to-wall WC pan with horizontal outlet – no seat holes
  - S3625** Conceala 2 cistern 4/6 litre dual flush valve bottom supply and internal overflow, alternative height plastic flushbends, no flushplate
  - S3623** Conceala 2 cistern 6 litre single flush valve bottom supply and internal overflow, alternative height plastic flushbends
  - S3624** Conceala 2 cistern 6/4 litre dual flush valve top inlet and internal overflow, alternative height plastic flushbends
  - S4464** Finger push button pneumatic, plastic for 31mm maximum thickness partition
  - S4463** Palm push button Pneumatic, plastic for 31mm maximum thickness partition
  - S4513** Palm push button Pneumatic, stainless steel for 31mm maximum thickness partition
  - S4305** Panekta outlet connector, finned pattern to convert horizontal outlet WCs to P trap

**Special notes**  
WC pan secured with fixing bolts supplied. Joint to wall sealed with waterproof sealant (not supplied)



# Profile 21 back-to-wall

Contemporary back-to-wall WC pan for domestic or commercial use.



November 2017

Uniclass PR_40_20	CAWS N13
C/S/FB	(74)

## ARMITAGE SHANKS

- Domestic and commercial use
- Modern design
- Slow close seat option
- Water efficient

### Illustrated

- S3095** Profile 21 WC pan back-to-wall horizontal outlet
- S3643** Conceala 2 cistern delay fill 4.5/3 or 4/2.6 litre dual flush valve bottom supply and internal overflow, alternative height plastic flushbends, no flushplate
- S4103** Profile 21 seat and cover
- E4397AA** Contemporary flush plate dual flush, Armitage Shanks logo for Conceala 2 cisterns

**Material**  
Vitreous China

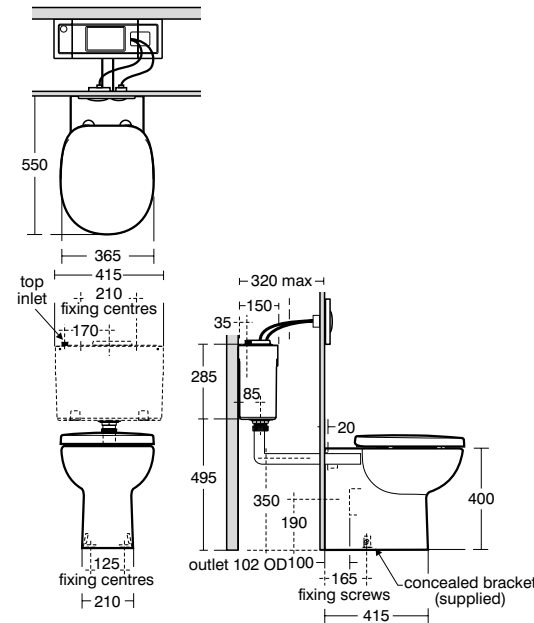
**Weight**  
WC pan 17.5kg  
Cistern 2.7kg  
Seat and cover 2.3kg  
Flush plate 1.1kg

**Finishes**  
Available in White (01)

**Standards**  
Vitreous china to BS 3402. WC pan to BS EN 997 and BS EN 33

- Options**
- S3624** Conceala 2 cistern 6/4 litre dual flush valve top inlet and internal overflow, alternative height plastic flushbends
  - S4102** Profile 21 seat and cover, slow close
  - S3640** Conceala 2 cistern 4.5 litre single flush valve side supply and internal overflow, alternative height plastic flushbends
  - S4513** Palm push button pneumatic, stainless steel for 31mm maximum thickness partition
  - S4512** Finger push button pneumatic, stainless steel for 31mm maximum thickness partition
  - S3617** Conceala 2 cistern 4.5 or 6 litre single flush syphon side supply and internal overflow plastic flushbend, long CP lever

**Special Notes**  
WC pan screwed to floor using concealed brackets (supplied). Joint to wall sealed with waterproof sealant (not supplied).





November 2017	
Uniclass PR_40_20	CAWS N13
CI/SFB	(74)

November 2017	
Uniclass PR_40_20	CAWS N13
CI/SFB	(74)

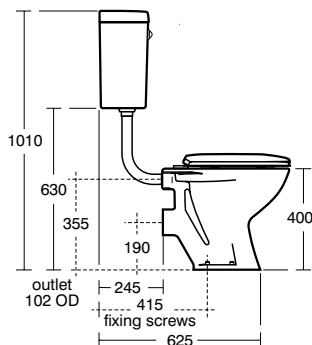
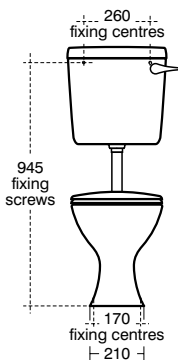
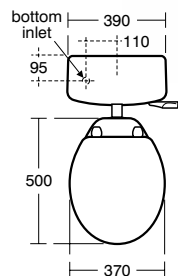
# WCs

## Low Level

# Sandringham 21 Magnia

## low level

Versatile WC pan in vitreous china that is suitable for domestic and public building applications. Versions for lever syphon flush or both dual and single valve flushing.



Water **4.5** Litres

November 2017	
Uniclass PR_40_20	CAWS N13
C/SFB	(74)

ARMITAGE SHANKS

Domestic or commercial use

Conforms to British Standards

Open flushing rim

Push button or lever cistern

### Illustrated

**S3510** Sandringham 21 washdown low level WC pan with horizontal outlet

**E8969** Sandringham 21 low level cistern 6 litre single flush syphon bottom supply and internal overflow

**S4055** Gemini seat and cover

**S9102** Domex screws (set of 4)

### Material

Vitreous China

### Weight

Low Level Cistern 14.0kg

Low Level WC Pan 12.5kg

### Finishes

Available in White (01)

### Standards

Vitreous china to BS 3402. WC pan to BS EN 997 and BS EN 33

### Options

**S4305** Panekta outlet connector, finned pattern to convert horizontal outlet WCs to P trap

**S4300** Panekta outlet connector, finned pattern to convert horizontal outlet WCs to S or turned P trap

**E8972** Sandringham 21 low level cistern 6 litre single flush syphon side supply and internal overflow

**E8761** Sandringham 21 low level cistern 6/4 litre dual flush valve, bottom supply and internal overflow

**U045001** Unison economy seat and cover

### Special notes

WC pan screwed to floor and cistern screwed to wall



November 2017	
Uniclass PR_40_20	CAWS N13
C/SFB	(74)

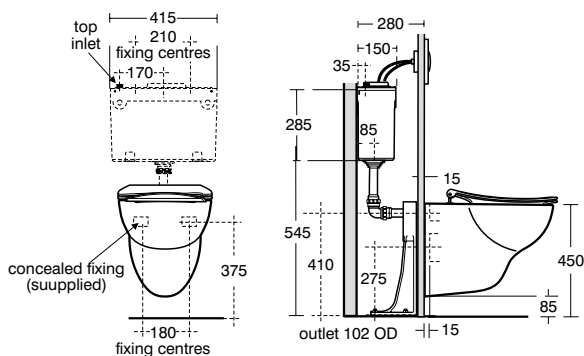
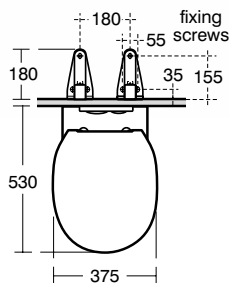
# WCs

## Wall Mounted

## Contour 21+ wall mounted

Contour 21+ WC Pans include new, improved rimless technology and a hydrophilic, smooth glaze with anti-microbial properties. The hidden fixation system offers a cleaner solution with improved aesthetics.

SmartGuard\*



Hydrophilic glaze with  
anti-microbial properties

New rimless technology

Hidden fixation system

Domestic and commercial use

Water efficient

### Illustrated

**S0443** Contour 21+ wall mounted rimless WC pan with horizontal outlet anti-microbial glaze

**S3643** Conceala 2 cistern 4.5/3 or 4/2.6 litre dual flush valve side supply and internal overflow, alternative height plastic flushbends

**S0670** Contour 21+ slim seat and cover

**S9139** Support bracket for wall mounted WC raised height with bolts

**E4463** Karisma flush plate, dual flush, chrome plated, unbranded

### Material

Vitreous China

### Weight

WC pan 20.9kg

WC Support Bracket 4.2kg

Cistern 2.7kg

Seat 2.3kg

### Finishes

Available in White with SmartGuard (HY)

Seats available in White with SmartGuard (HY)

### Standards

Vitreous china to BS 3402, BS EN 997 and BS EN 33

### Options

**S3640** Conceala 2 cistern 4.5 litre single flush valve side supply and internal overflow, alternative height plastic flushbends

**S4513** Palm push button Pneumatic, stainless steel for 31mm maximum thickness partition

**S4305** Panekta outlet connector, finned pattern to convert horizontal outlet WCs to P trap

**S4300** Panekta outlet connector, finned pattern to convert horizontal outlet WCs to S or turned P trap

**S4066** Contour 21 seat no cover, top fixing hinges and retaining buffers

### Special notes

S9139 support brackets secured to floor within the duct, WC fixed to support brackets with bolts supplied. Joint sealed with waterproof sealant (not supplied).



## Contour 21+ wall mounted 70 - 75cm projection

Contour 21+ WC Pans include new, improved rimless technology and a hydrophilic, smooth glaze with anti-microbial properties. The hidden fixation system offers a cleaner solution with improved aesthetics.

SmartGuard\*



Hydrophilic glaze with  
anti-microbial properties

New rimless technology

Hidden fixation system

Commercial use

Raised height for universal access

Doc M compliant

### Illustrated

**S0442** Contour 21+ 75cm projection wall mounted rimless WC pan with horizontal outlet, anti-microbial glaze

**S3617** Conceala 2 cistern 6 or 4.5 litre single flush syphon side supply and internal overflow plastic flushbend, long CP lever

**S4066** Contour 21 seat no cover, top fixing hinges and retaining buffers

**S9139** Support bracket for wall mounted WC raised height with bolts

**S6466** Contour 21 back support rail for 75cm projection WC, 40 x 22 x 35mm diameter tube back cushion support and clips

### Material

Vitreous China

### Weight

WC pan 36.4kg

Cistern 2.7kg

WC Support Bracket 4.2kg

### Finishes

Available in White with SmartGuard (HY)

Seats available in White (01) Blue (36) Grey (LJ) Charcoal (RN)

### Standards

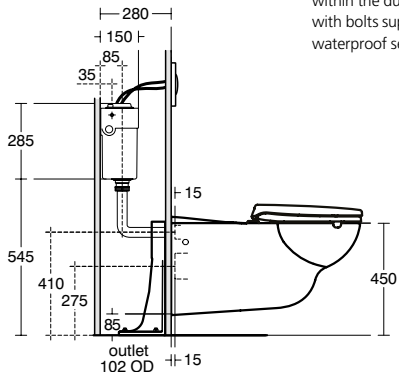
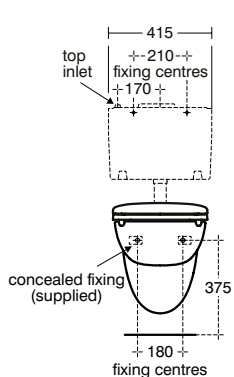
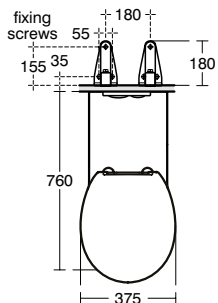
Vitreous china to BS 3402, BS EN 997 and BS EN 33





# Contour 21+

wall mounted 70 - 75cm projection



**Options**

- S0441** Contour 21+ rimless, wall mounted WC pan with horizontal outlet, 70cm projection, anti-microbial glaze
- S3643** Conceala 2 cistern 4.5/3 or 4/2.6 litre dual flush valve side supply and internal overflow, alternative height plastic flushbends
- S4504** Contemporary flush plate dual flush, Armitage Shanks logo, stainless steel for Conceala 2 cisterns
- S4305** Panekta outlet connector, finned pattern to convert horizontal outlet WCs to P trap
- S4300** Panekta outlet connector, finned pattern to convert horizontal outlet WCs to S or turned P trap

**Special notes**

S9139 support brackets secured to floor within the duct, WC fixed to support brackets with bolts supplied. Joint sealed with waterproof sealant (not supplied).



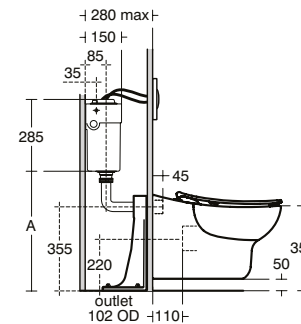
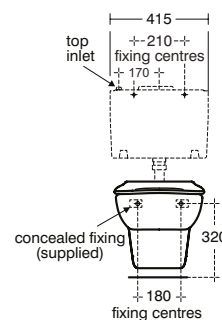
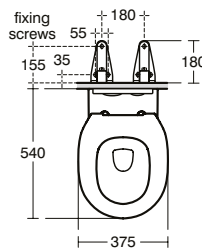
2 : 4 : 4

Tel 0870 122 8822 Fax 0870 122 8282  
Email info@thebluebook.co.uk  
Online search, specify & CAD: www.thebluebook.co.uk

# Contour 21 Splash

wall mounted schools 355

Splash WC bowls are water efficient and incorporate rimless flushing to improve hygiene.



	Volume, L	A, mm
S361767	4,5	635
	6	495
S361967	4,5	515
	6	495
S358967	4	495
	4,5	495
S359967	6	495

Key Stage 2

4/2.6 dual flush

Coordinates with complete Splash range

Rimless

Lever, push button options or flushplate options

Seat and cover or seat rim only in 4 colours

Coloured flushplate options

**Illustrated**

- S3127** Contour 21 Splash 355mm wall mounted rimless bowl
- S3643** Conceala 2 cistern 4.5/3 or 4/2.6 litre dual flush valve side supply and internal overflow, alternative height plastic flushbends, no flushplate
- S4545** Contour 21 Splash seat ring only for 355mm bowls
- E4465** Karisma flush plate dual flush, branded for Conceala 2 cisterns, chrome
- E0060** Support frame with bolts for wall hung WC pans

**Material**

Vitreous china

**Weight**

WC pan 19.6kg, Cistern 2.7kg  
Flushplate 0.2kg, Seat and cover 2.7kg

**Finishes**

Available in White (01)  
Seats available in Yellow (79), Red (GQ), Light Blue (36), White (01)  
Flushplates available in Chrome (AA), Blue (36), Yellow (79) and Red (GQ)

**Standards**

Vitreous china to BS 3402. WC pan to BS EN 997 and BS EN 33

**Options**

- S3620** Conceala 2 cistern 4.5 or 6 litre single flush syphon side supply and internal overflow, alternative height plastic flushbends, no lever
- S3624** Conceala 2 cistern 6/4 litre dual flush valve top inlet and internal overflow, alternative height plastic flushbends
- S4536** Contour 21 Splash seat and cover for 355mm bowls
- E4437** Contemporary flush plate dual flush, Ideal Standard logo for Conceala 2 cisterns
- S4300** Panekta outlet connector, finned pattern to convert horizontal outlet WCs to S or turned P trap
- S4305** Panekta outlet connector, finned pattern to convert horizontal outlet WCs to P trap

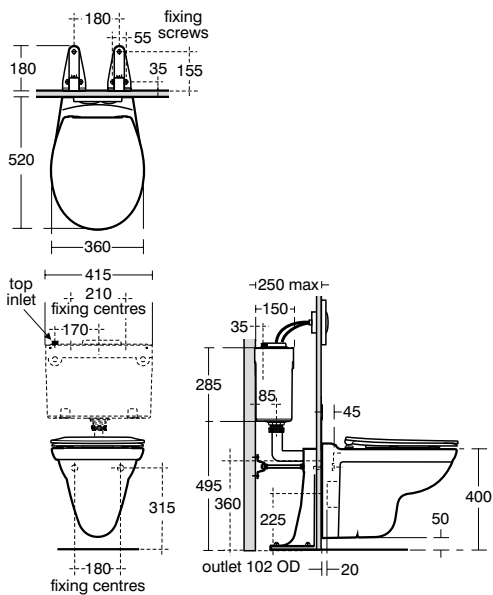


2 : 4 : 5

Tel 0870 122 8822 Fax 0870 122 8282  
Email info@thebluebook.co.uk  
Online search, specify & CAD: www.thebluebook.co.uk

# Sandringham 21 wall mounted

Sandringham 21 consists of a wide range of sanitaryware, bathing and brassware options combining simple modern design.



November 2017	
Uniclass PR_40_20	CAWS N13
C/SFB	(74)

## ARMITAGE SHANKS

Domestic and commercial use

Part of the extensive  
Sandringham suite

Water efficient

### Illustrated

**V3910** Sandringham wall mounted WC with horizontal outlet

**S3643** Conceala 2 cistern 4.5/3 or 4/2.6 litre dual flush valve side supply and internal overflow, alternative height plastic flushbends

**E1316** Sandringham 21 seat and cover

**S4397** Contemporary flush plate dual flush, Armitage Shanks logo for Conceala 2 cisterns

**E0060** Support frame with bolts for wall hung pans

### Material

Vitreous China

### Weight

WC pan 15.1kg

WC Support Bracket 4.2kg

Cistern 2.7kg

### Finishes

Available in White (01)

### Standards

Vitreous china to BS 3402, BS EN 997 and BS EN 33

### Options

**S3617** Conceala 2 cistern 4.5 or 6 litre single flush syphon side supply and internal overflow plastic flushbend, long CP lever

**S3624** Conceala 2 cistern 6/4 litre dual flush valve top inlet and internal overflow, alternative height plastic flushbends

**S4305** Panekta outlet connector, finned pattern to convert horizontal outlet WCs to P trap

**S4300** Panekta outlet connector, finned pattern to convert horizontal outlet WCs to S or turned P trap

**E1317** Sandringham 21 seat and cover, metal hinges

**E1319** Sandringham 21 seat no cover

**S2985** Sandringham 21 seat no cover, slow close

### Special notes

WC fixed to support brackets with bolts supplied. Joint sealed with waterproof sealant (not supplied) Suitable for in-wall WC frame



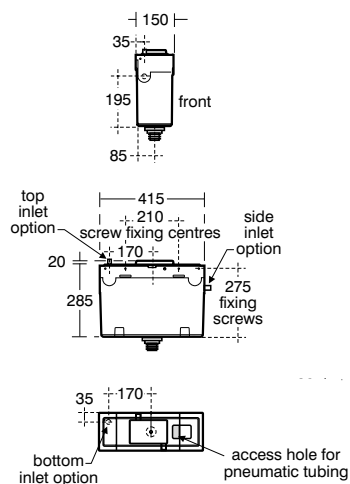
November 2017	
Uniclass PR_40_20	CAWS N13
C/SFB	(74)

# WCs Cisterns and Fittings

# Conceala 2

## dual flush cistern

Conceala 2 cistern and cover, 4.5/3 litre, pneumatic dual flush valve fittings, ½" ball valve, side supply, internal overflow, alternative height plastic flushbends, Simpla inlet connector.



November 2017	
Uniclass PR_40_20	CAWS N13
CUSFB	(74)

### ARMITAGE SHANKS

Components pre-fitted  
For dual flush push plates  
Compact design

#### Illustrated

**S3643** Conceala 2 cistern 4.5/3 or 4/2.6 litre dual flush valve side supply and internal overflow, alternative height plastic flushbends

#### Material

Plastic

#### Weight

2.7kg

#### Standards

Cistern to BS EN 14055

#### Options

**S3624** Conceala 2 cistern 6/4 litre dual flush valve top inlet and internal overflow, alternative height plastic flushbends

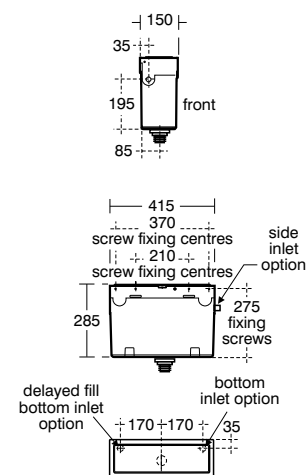
#### Special notes

Cistern is supplied with 2 x 800mm lengths of plastic air tubes. Optional 3m lengths can be purchased where remote operation is required

# Conceala 2

## single flush cistern

Conceala 2 ducted pneumatic valve cisterns in plastic are suitable for low level installation. Supplied with components pre-fitted to reduce installation time. Single push button operation.



November 2017	
Uniclass PR_40_20	CAWS N13
CUSFB	(74)

### ARMITAGE SHANKS

For push button operation  
Components pre-fitted  
Compact design

#### Illustrated

**S3640** Conceala 2 cistern 4.5 or 4 litre single flush valve side supply and internal overflow, alternative height plastic flushbends

#### Material

Plastic

#### Weight

2.7kg

#### Standards

Cistern to BS EN 14055

#### Options

**S3622** Conceala 2 cistern 6 litre single flush valve side supply and internal overflow, alternative height plastic flushbends, no push button

#### Special notes

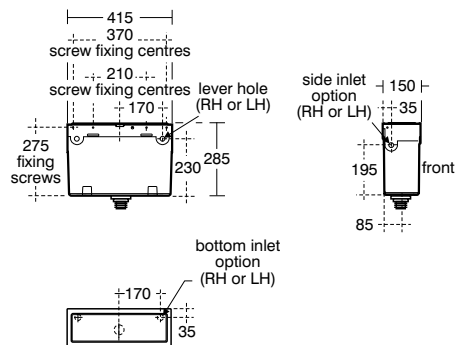
Valve operated cisterns are supplied with an 800mm length of plastic air tube. An optional 3m length can be purchased where remote operation is required



WCs

# Conceala 2 cisterns

Conceala 2 ducted pneumatic valve cisterns in plastic are suitable for low level installation. Supplied with components pre-fitted to reduce installation time. Lever operation.



November 2017	
Uniclass PR_40_20	CAWS N13
C/S/FB	(74)

ARMITAGE SHANKS

## Components pre-fitted

Single 4.5 litre lever or sensor flush

Compact design

### Illustrated

**S3617** Conceala 2 cistern 6 or 4.5 litre single flush syphon side supply and internal overflow plastic flushbend, long CP lever

### Material

Plastic

### Weight

Low Level Cistern 2.7kg  
4.5 or 6 Litre Single Flush Cistern 2.7kg  
4.5 Litre Single Flush Cistern 2.7kg

### Finishes

Available in Neutral / No Finish (67)

### Standards

Cistern to BS EN 14055

### Options

**S3621** Conceala 2 cistern delay fill 4.5 litre single flush syphon low level bottom supply and internal overflow plastic flushbend, no lever  
**S4491AA** Concept 2 lever 250mm  
**S4492AA** Concept 2 lever 400mm external

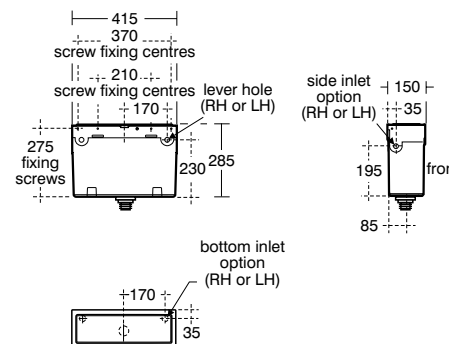
### Special notes

Lever supplied with cistern is suitable for 150mm max wall thickness. Longer levers for thicker walls can be purchased

WCs

# Conceala 2 cisterns

High level concealed cistern with lever and chain



November 2017	
Uniclass PR_40_20	CAWS N13
C/S/FB	(74)

ARMITAGE SHANKS

## High level

Compact design

Maximum 150mm wall thickness

### Illustrated

**S3626** Conceala 2 cistern 6 litre single flush syphon high level side supply and internal overflow, lever with chain

### Material

Plastic

### Weight

6 Litre Single Flush Cistern 2.7kg

### Finishes

Available in Neutral / No Finish (67)

### Standards

Cistern to BS EN 14055

### Special notes

Chain pull mechanism for maximum wall thickness 150mm. If wall thickness exceeds 150mm full installation details must be supplied, see finger and palm push flush mechanisms



Armitage  
Shanks

2 : 5 : 4

Tel 0870 122 8822 Fax 0870 122 8282  
Email [info@thebluebook.co.uk](mailto:info@thebluebook.co.uk)  
Online search, specify & CAD: [www.thebluebook.co.uk](http://www.thebluebook.co.uk)



Tel 0870 122 8822 Fax 0870 122 8282  
Email [info@thebluebook.co.uk](mailto:info@thebluebook.co.uk)  
Online search, specify & CAD: [www.thebluebook.co.uk](http://www.thebluebook.co.uk)



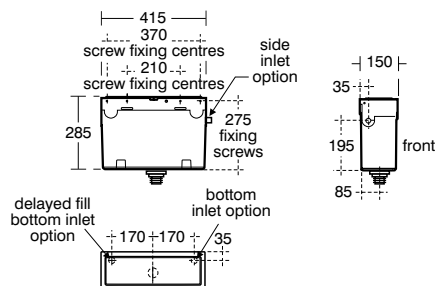
2 : 5 : 5

Armitage  
Shanks

# Sensorflow 21

## compact WC flushing device

Hands free WC flushing control sensor with concealed cistern



November 2017	
Uniclass PR_40_20	CAWS N13
C/S/F/B	(74)

ARMITAGE SHANKS

Commercial use

Electronic flushing from  
mains water

Hygienic

Activated by waving hand

### Illustrated

**S3599** Sensorflow 21 WC flushing device, panel mounted sensor complete with concealed valve and 4 and 4.5 litre duct cistern.

### Material

Plastic

### Weight

2.7kg

### Finishes

Available in Neutral / No Finish (67)

### Standards

Cistern to BS EN 14055

### Options

**S3589** Sensorflow 21 WC flushing device, panel mounted sensor complete with concealed valve and 6 litre duct cistern

**S3604** Sensorflow 21 WC flushing device, panel mounted sensor complete with concealed valve and 4 and 4.5 litre delay fill duct cistern

November 2017	
Uniclass PR_40_20	CAWS N13
C/S/F/B	(74)

# WCs

## Conceala Cisterns Matrix

please use the following matrix to ensure you specify the correct Conceala cistern and WC combination and set the cistern at the correct height



# Dual Flush Back to Wall Conceala Cistern Guide

Use the guide below to select the correct Conceala cistern for your requirements and find the minimum installation height (N)

**X** Installation is not suitable

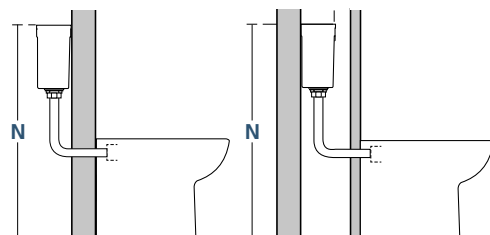
Flush Type	Dual Flush Button or Flush Plate						
	4/2.6		4.5/3		6/4		
Water Usage	SI	BI	SI	BI	TI	BI	BI
Inlet	SI	BI	SI	BI	TI	BI	BI
Conceala Code	S3643	S3636	S3643	S3636	S3624	S3553	S3625

**Set Conceala at minimum height shown below**

Contour 21+ 700mm projection	900	900	900	900	900	900	900
Contour 21+ 750mm projection	900	900	900	900	900	900	900
Contour 21+ Raised height	850	850	850	850	850	850	850
Contour 21+ Standard height	800	800	800	800	800	800	800
Contour 21 Splash 305mm schools	780	780	780	780	780	780	780
Contour 21 Splash 355mm schools	780	780	780	780	780	780	780
Perth	X	X	X	X	780	780	780
Profile 21	780	780	780	780	780	780	780
Sandringham 21	810	810	810	810	810	810	810

**Installation Notes**

Conceala cisterns are suitable for use between the minimum heights shown above (N) and a recommended height of 900mm (unless specified otherwise).



# Single Flush 4.5 Litre Back to Wall Conceala Cistern Guide

Use the guide below to select the correct conceala cistern for your requirements and find the minimum installation height (N)

**X** Installation is not suitable

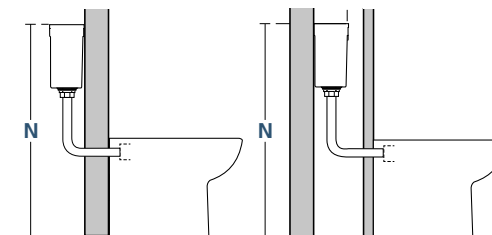
Flush Type	Lever		Push Button		Sensorflow	
	SI	BI	SI	BI	SI	BI
Inlet	SI	BI	SI	BI	SI	BI
Conceala Code	S3620	S3621	S3640	S4270	S3599	S3604

**Set Conceala at minimum height shown below**

Contour 21+ 700mm projection	900	900	900	900	900	900
Contour 21+ 750mm projection	900	900	900	900	900	900
Contour 21+ Raised height	850	850	850	850	850	850
Contour 21+ Standard height	850	850	800	800	800	800
Contour 21 Splash 305mm schools	780	780	780	780	780	780
Contour 21 Splash 355mm schools	780	780	780	780	780	780
Perth	X	X	X	X	X	X
Profile 21	780	780	780	780	780	780
Sandringham 21	810	810	810	810	810	810

**Installation Notes**

Conceala cisterns are suitable for use between the minimum heights shown above (N) and a recommended height of 900mm (unless specified otherwise).





# Single Flush 6 Litre Back to Wall Conceala Cistern Guide

Use the guide below to select the correct Conceala cistern for your requirements and find the minimum installation height (N)

**X** Installation is not suitable

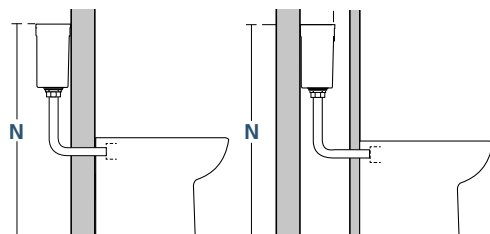
Flush Type	Lever		Push Button		Sensorflow	
	SI	BI	SI	BI	SI	BI
Inlet						
Conceala Code	S3620	S3621	S3622	S3623	S3589	

Set Conceala at minimum height shown below

<b>Contour 21+</b> 700mm projection	900	900	900	900	900	
<b>Contour 21+</b> 750mm projection	900	900	900	900	900	
<b>Contour 21+</b> Raised height	850	850	850	850	850	
<b>Contour 21+</b> Standard height	850	850	800	800	800	
<b>Contour 21 Splash</b> 305mm schools	780	780	780	780	780	
<b>Contour 21 Splash</b> 355mm schools	780	780	780	780	780	
<b>Perth</b>	<b>X</b>	<b>X</b>	780	780	780	
<b>Profile 21</b>	780	780	780	780	780	
<b>Sandringham 21</b>	810	810	810	810	810	
<b>Sentry 21</b>	1035	1035	820	820	820	

## Installation Notes

Conceala cisterns are suitable for use between the minimum heights shown above (N) and a recommended height of 900mm (unless specified otherwise).



# Dual Flush Wall Mounted Conceala Cistern Guide

Use the guide below to select the correct Conceala cistern for your requirements and find the minimum installation height (N)

**X** Installation is not suitable

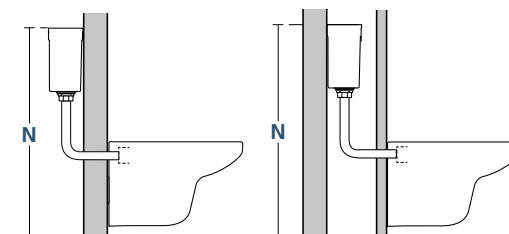
Flush Type	Dual Flush Button or Flush Plate					
	4/2.6		4.5/3		6/4	
Water Usage						
Inlet	SI	BI	SI	BI	TI	BI
Conceala Code	S3643	S3636	S3643	S3636	S3624	S3553

Set Conceala at minimum height shown below

<b>Contour 21+</b> 700mm projection	900	900	900	900	900	900	900
<b>Contour 21+</b> 750mm projection	900	900	900	900	900	900	900
<b>Contour 21+</b> Standard projection	900	900	900	900	900	900	900
<b>Contour 21 Splash</b> 355mm schools	780	780	780	780	780	780	780
<b>Sandringham 21</b>	970	970	970	970	810	810	810

## Installation Notes

Conceala cisterns are suitable for use between the minimum heights shown above (N) and a recommended height of 900mm (unless specified otherwise).



## Single Flush 4.5 Litre Wall Mounted Conceala Cistern Guide

Use the guide below to select the correct Conceala cistern for your requirements and find the minimum installation height (N)

**X** Installation is not suitable

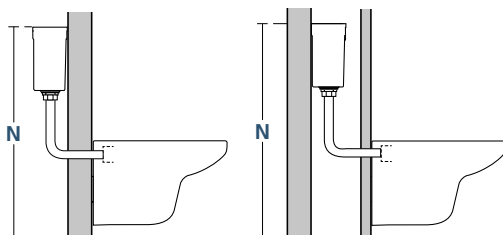
Flush Type	Lever		Push Button		Sensorflow	
	SI	BI	SI	BI	SI	BI
Inlet						
Conceala Code	S3620	S3621	S3640	S4270	S3599	S3604

### Set Conceala at minimum height shown below

<b>Contour 21+</b> 700mm projection	900	900	900	900	900	900
<b>Contour 21+</b> 750mm projection	900	900	900	900	900	900
<b>Contour 21+</b> Standard projection	900	900	900	900	900	900
<b>Contour 21 Splash</b> 355mm schools	920	920	920	920	780	780
<b>Sandringham 21</b>	970	970	910	910	910	910

### Installation Notes

Conceala cisterns are suitable for use between the minimum heights shown above (N) and a recommended height of 900mm (unless specified otherwise).



## Single Flush 6 Litre Wall Mounted Conceala Cistern Guide

Use the guide below to select the correct Conceala cistern for your requirements and find the minimum installation height (N)

**X** Installation is not suitable

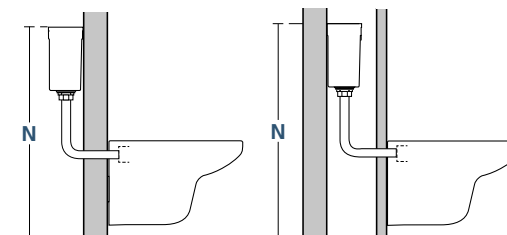
Flush Type	Lever		Push Button		Sensorflow	
	SI	BI	SI	BI	SI	BI
Inlet						
Conceala Code	S3620	S3621	S3622	S3623	S3589	

### Set Conceala at minimum height shown below

<b>Contour 21+</b> 700mm projection	900	900	900	900	900	
<b>Contour 21+</b> 750mm projection	900	900	900	900	900	
<b>Contour 21+</b> Standard projection	900	900	900	900	900	
<b>Contour 21 Splash</b> 355mm schools	780	780	780	780	780	
<b>Sandringham 21</b>	810	810	810	810	810	

### Installation Notes

Conceala cisterns are suitable for use between the minimum heights shown above (N) and a recommended height of 900mm (unless specified otherwise).

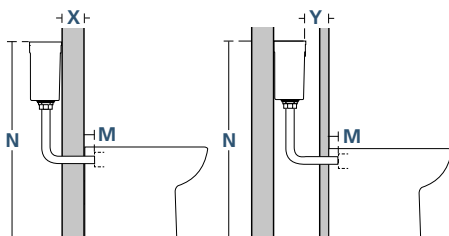


## Conceala Cistern Installation

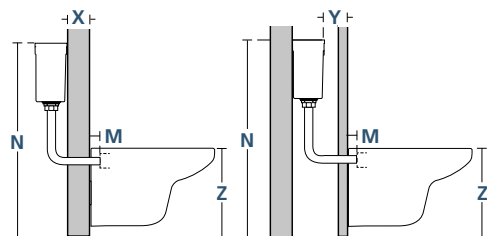
### Setting the correct depth to allow for post installation maintenance

Conceala cisterns should not be installed any deeper than the dimensions shown below to ensure they can be serviced from the front after installation.

### Back to Wall



### Wall Mounted



Z  
400 (Recommended height)  
450 (Contour 21 products)

Z  
400 (Recommended height)  
450 (Contour 21 products)

#### Lever & Flush Plate Limits

With 250 & Spatula Levers & when lever supplied in tank	X or Y = 160
With E6020 Lever	X or Y = 28
With E6021 Lever	X or Y = 255
With Dual Flush Plate	X = 100 and Y = 295

#### Installation Notes

Conceala cistern heights below 900 can be achieved using E6020 and E6021 Levers.

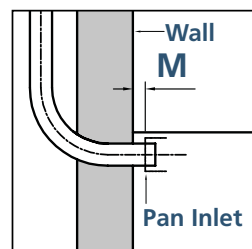
For single flush push button operated cistern dimensions X and Y are limited by the flushbend.

## Flush Bend Limits

### Setting the correct depth to allow for Flush Bend

To calculate how deep you can install a Conceala cistern you also need to take into account the maximum length the flush pipe will extend to. This will be affected by the position of the inlet on the pan.

Use the calculation opposite to determine the maximum depth you can achieve.

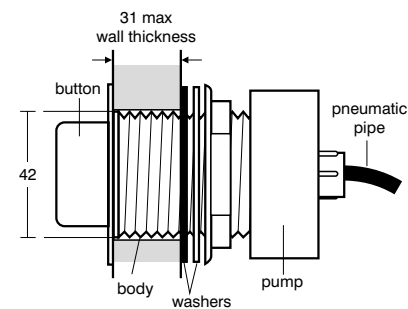


#### Flush Bend Limits

When N is between 780 and 810	X or Y = 185 -M
When N is greater than 810	X or Y = 295 -M

## Pneumatic Palm Push Button

Pneumatic push buttons are suitable for use with Conceala 2 cisterns.



Chromium plated plastic  
31mm maximum panel thickness

#### Illustrated

**S4463** Palm push button pneumatic, plastic for 31mm thickness partition

#### Material

Chrome Plated Plastic

#### Weight

0.62kg

#### Finishes

Chrome (AA)  
Stainless steel (MY)

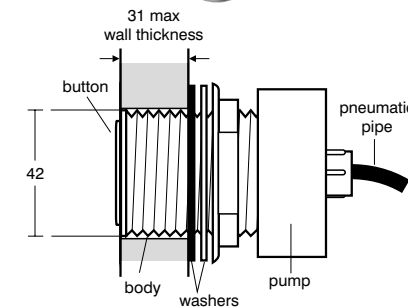
#### Options

**S4513** Palm push button pneumatic, stainless steel for 31mm maximum thickness partition



## Pneumatic Finger Push Button

Pneumatic push buttons are suitable for use with Conceala 2 cisterns.



ARMITAGE SHANKS

Anti vandal  
Durable design  
31mm Maximum panel thickness

#### Illustrated

**S4512** Finger push button pneumatic, stainless steel for 31mm maximum thickness partition

#### Material

Chrome Plated Brass

#### Weight

0.62kg

#### Finishes

Chrome (AA)

#### Options

**S4464** Finger push button pneumatic, plastic for 31mm maximum thickness partition



# Pneumatic Finger Push Button

Pneumatic push buttons are suitable for use with Conceala 2 cisterns.



November 2017	
Uniclass PR_40_20	CAWS N13
CUSFB	(74)

ARMITAGE SHANKS

Stainless Steel  
400mm maximum thickness

#### Illustrated

**S4489** Finger push button pneumatic, stainless steel body for 400mm maximum wall thickness

**Material**  
Stainless Steel

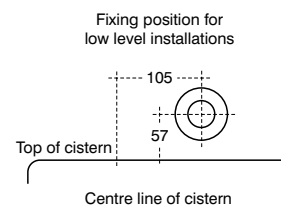
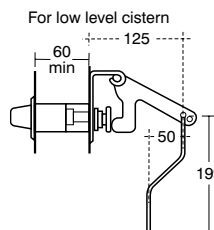
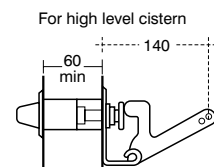
**Weight**  
0.17kg

**Finishes**  
Available in Stainless Steel (MY)



# Palm Push Button

Palm push buttons suitable for general use. Suitable for duct cisterns.



November 2017	
Uniclass PR_40_20	CAWS N13
CUSFB	(74)

ARMITAGE SHANKS

Palm push button  
For use with ducted cisterns  
Suitable for general use

#### Illustrated

**S4450** Palm push button mechanism for high level concealed cistern for 150mm maximum wall thickness

**Weight**  
0.19kg

**Finishes**  
Available in Chrome (AA)

#### Options

**S4452** Palm push button mechanism for low level concealed cistern for 150mm maximum wall thickness

**S4453** Palm push button mechanism for low level concealed cistern for 400mm maximum wall thickness

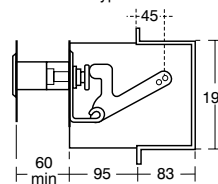


# Finger Push Button

Pneumatic push buttons are suitable for use with Conceala 2 cisterns.

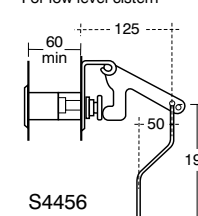


Prison cell type



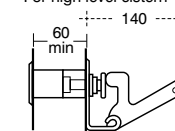
S4458

For low level cistern

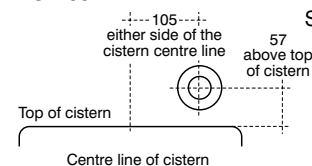


S4456

For high level cistern



S4454



ARMITAGE SHANKS

Anti vandal  
Durable design  
For use with concealed cisterns

#### Illustrated

**S4454** Finger push button mechanism for high level concealed cistern, for 150mm maximum wall thickness

**Weight**  
0.72kg

**Finishes**  
Available in Chrome (AA)

#### Special notes

Minimum wall thickness 60mm. Mechanism can be reduced on site.

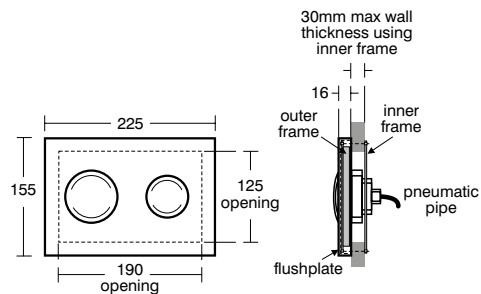
#### Options

**S4456** Finger push button mechanism for low level concealed cistern, for 150mm maximum wall thickness



# Contemporary Flush Plate

Flush plates are suitable for use with Conceala 2 cisterns. In-wall systems have specific flush plates.



November 2017	
Uniclass PR_40_20	CAWS N13
C/S/F/B	(74)

## ARMITAGE SHANKS

Chrome plated or stainless steel options

Unbranded options

### Illustrated

**S4399** Contemporary flush plate dual flush, unbranded for Conceala 2 cisterns

### Weight

WC Actuator 1kg  
Contemporary Flush Plate Dual Flush 0.5kg

### Finishes

Available in Chrome (AA), Brushed Nickel (BX), Stainless Steel (MY) - S4504 and S4503

### Options

**S4504** Contemporary flush plate dual flush, Armitage Shanks logo, stainless steel for Conceala 2 cisterns

**S4503** Contemporary flush plate dual flush, stainless steel unbranded for Conceala 2 cisterns

**S4397** Contemporary flush plate dual flush, Armitage Shanks logo for Conceala 2 cisterns

**E4437** Contemporary flush plate dual flush, Ideal Standard logo for Conceala 2 cisterns

# Karisma Flush Plate

Flush plate suitable for use with Conceala 2 cisterns and in wall systems.



November 2017	
Uniclass PR_40_20	CAWS N13
C/S/F/B	(74)

## IDEAL STANDARD

Chrome plated or satin chrome

Unbranded options

Pneumatic operated

### Illustrated

**E4465** Karisma flush plate dual flush, branded for Conceala 2 cisterns, chrome

### Weight

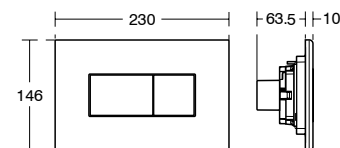
WC Actuator 1kg  
Contemporary Flush Plate Dual Flush 0.5kg

### Finishes

Chrome (AA), Ultra Steel (GN)  
Satin Chrome (46), Light blue (36)  
Red (GQ), Yellow (79)

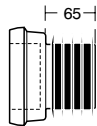
### Options

**E4463** Karisma flush plate dual flush, unbranded



# Outlet And Inlet Connectors

Plastic outlet connectors to connect WC trap spigot to soil pipe.



**Note:**  
Connectors to suit 102 bore soil pipe and 102 WC outlet

November 2017	
Uniclass PR_40_20	CAWS N13
C/S/F/B	(74)

ARMITAGE SHANKS

## Connectors

Extensions for 70cm and 75cm long WCs

### Illustrated

**S4325** Panekta outlet connector, finned pattern, straight

### Material

Plastic

### Weight

WC Outlet Connector 0.23kg

### Finishes

Available in White (01)

### Options

**S4320** Panekta outlet connector, finned pattern, straight

**S4326** Panekta outlet connector, finned pattern, offset

**S4505** Simpla Inlet Connector

**S4303** Contour 21 outlet extension connector for 70/75cm WC pan outlet



# Isolation Valves

Isolation valves, inlet and outlet each with compression nut and ring for 15mm copper tube, chrome plated



### Illustrated

**S9005** Isolation valve 1/2" with screwdriver control, inlet and outlet for 15mm copper

### Weight

Isolator Valves 0.4kg

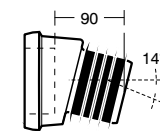
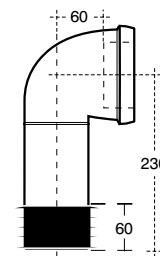
### Finishes

Chrome (AA)



# Panekta Connectors

Finned and plain plastic WC pan connectors for converting horizontal outlet WCs to S traps, P traps and turned P traps. Panekta connectors conform to BS 5627:1984



Connectors to suit 102 bore soil pipe and 102 WC outlet

November 2017	
Uniclass PR_40_20	CAWS N13
C/S/F/B	(74)

ARMITAGE SHANKS

## Domestic and commercial use

For horizontal outlets

### Illustrated

**S4300** Panekta outlet connector, finned pattern to convert horizontal outlet WCs to S or turned P trap

### Material

Plastic

### Weight

0.39kg

### Finishes

White (01)

### Standards

Connectors to BS 5627

### Illustrated

**S4305** Panekta outlet connector, finned pattern to convert horizontal outlet WCs to S or turned P trap

**S4310** Panekta outlet Connector, plain pattern to convert horizontal outlet WCs to S or turned P trap

# Flushpipes

A range of high level telescopic plastic flushpipes, in white, to suit back inlet WCs. Offsets are varied to suit different cistern outlets. For special requirements flushpipes are available for fixing clear of wall.



ARMITAGE SHANKS

## Telescopic

Variable heights

For back inlet WCs

### Illustrated

**S4601** Flushpipe telescopic, 1675mm and clip to suit Clena cistern and back inlet WC

### Material

Plastic

### Weight

2.0kg

### Finishes

Neutral / No Finish (67)

### Options

**S4602** Flushpipe telescopic, 1675mm to suit Conceala cistern and back inlet WC



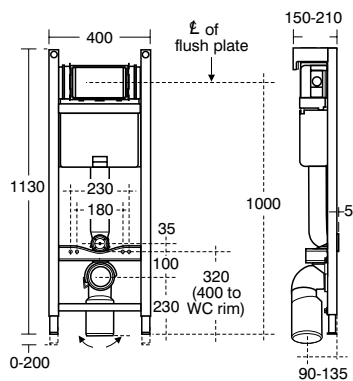


## WCs

## In-Wall Frames

## 1100mm high mechanical

WC in wall frames provide a simple answer to installing wall mounted WCs in a secure frame that incorporates a built in cistern. Quiet filling operation.



November 2017	
Uniclass PR_40_20	CAWS N13
C/SFB	(74)

## IDEAL STANDARD

Domestic and commercial use

Mechanical or Pneumatic

Fast easy installation

Access through flushplate

**Illustrated**

**E9324** In-wall system for WC, 1100mm high, mechanical front operation flushplate

**Material**

Steel

**Weight**

In-wall system for WC 13kg

**Capacity**

6/3 litres dual flush  
Can be converted to 4.5/3

**Finishes**

Available in Neutral / No Finish (67)

**Options**

**VV6385** River flush plate, dual flush, mechanical (Available in White (81), Chromium plated (84))

**VV6590** Slim flush plate, dual flush, mechanical (Available in Chromium plated (44), Satin Chrome (46))

**Special notes**

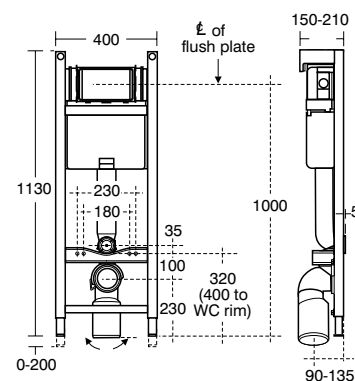
Suitable for use with any Ideal Standard or Armitage WC at 6 litre flush. Please check for lower flush volumes.

## WCs

## In-Wall Frames

## 1100mm high pneumatic

WC in wall frames provide a simple answer to installing wall mounted WCs in a secure frame that incorporates a built in cistern. Quiet filling and quiet pneumatic operation.



November 2017	
Uniclass PR_40_20	CAWS N13
C/SFB	(74)

## IDEAL STANDARD

Domestic and commercial use

Fast easy installation

Dual Flush

Quiet operation

**Illustrated**

**E9327** In-wall system for WC, 1100mm high, pneumatic front operation flushplate

**Material**

Steel

**Weight**

In-wall system for WC 13kg

**Capacity**

6/3 litres dual flush  
Can be converted to 4.5/3

**Finishes**

Available in Neutral / No Finish (67)

**Options**

**E4465** Karisma flush plate, dual flush, pneumatic (Available in Chrome (AA), Satin chrome (GN))

**VV6400** Salina flush plate, dual flush, pneumatic (Available in Chromium plated (84), Satin Chrome (86))

**VV6398** Trend stainless steel flush plate, dual flush, pneumatic with tamper resistant screws (Available in Chrome finish (64), Satin finish (66))

**Special notes**

Suitable for use with any Ideal Standard or Armitage WC at 6 litre flush. Please check for lower flush volumes.



# In-Wall Frames

## 880mm high mechanical

WC in wall frames provide a simple answer to installing wall mounted WCs in a secure frame that incorporates a built in cistern. Quiet filling operation.

November 2017	
Uniclass PR_40_20	CAWS N13
C/S/FB	(74)

### IDEAL STANDARD

Domestic and commercial use

Fast easy installation

Dual Flush

Quiet operation

#### Illustrated

**E9325** In-wall system for WC, 880mm high, mechanical top or front operation flushplate

#### Material

Steel

#### Weight

In-wall system for WC 13kg

#### Capacity

6/3 litres dual flush  
Can be converted to 4.5/3

#### Finishes

Available in Neutral / No Finish (67)

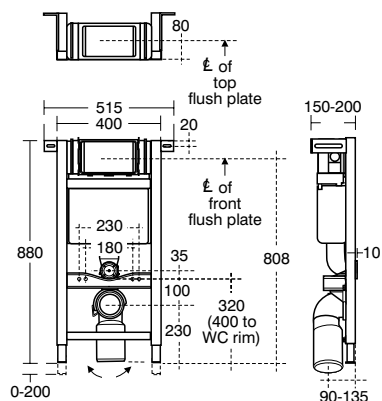
#### Options

**VV6385** River flush plate, dual flush, mechanical (Available in White (81), Chromium plated (84))

**VV6590** Slim flush plate, dual flush, mechanical (Available in Chromium plated (44), Satin Chrome (46))

#### Special notes

Suitable for use with any Ideal Standard or Armitage WC at 6 litre flush. Please check for lower flush volumes.



# In-Wall Frames

## 880mm high pneumatic

WC in wall frames provide a simple answer to installing wall mounted WCs in a secure frame that incorporates a built in cistern. Quiet filling and quiet pneumatic operation.

November 2017	
Uniclass PR_40_20	CAWS N13
C/S/FB	(74)

### IDEAL STANDARD

Domestic and commercial use

Fast easy installation

Dual Flush

Quiet operation

#### Illustrated

**E9328** In-wall system for WC, 880mm high, pneumatic top or front operation flushplate

#### Material

Steel

#### Weight

In-wall system for WC 13kg

#### Capacity

6/3 litres dual flush  
Can be converted to 4.5/3

#### Finishes

Available in Neutral / No Finish (67)

#### Options

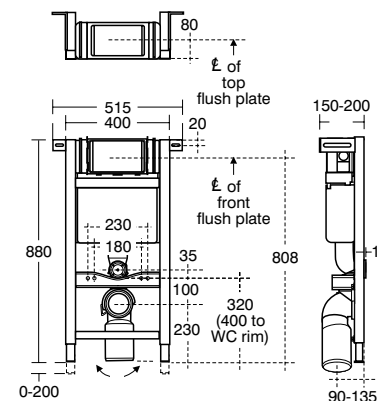
**VV6400** Salina flush plate, dual flush, pneumatic (Available in Chromium plated (84), Satin Chrome (86))

**E4465** Karisma flush plate, dual flush, pneumatic (Available in Chromium plated (04), Satin Chrome (06))

**VV6398** Trend stainless steel flush plate, dual flush, pneumatic with tamper resistant screws (Available in Chrome finish (64), Satin finish (66))

#### Special notes

Suitable for use with any Ideal Standard or Armitage WC at 6 litre flush. Please check for lower flush volumes.

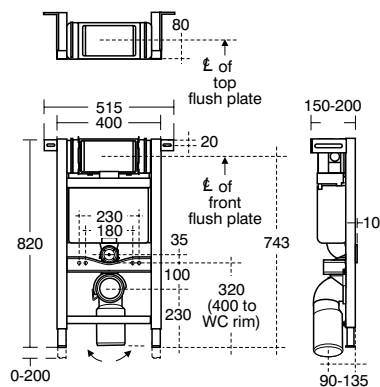


WCs

# In-Wall Frames

## 820mm high mechanical

WC in wall frames provide a simple answer to installing wall mounted WCs in a secure frame that incorporates a built in cistern. Quiet filling operation.



November 2017	
Uniclass PR_40_20	CAWS N13
C/S/FB	(74)

IDEAL STANDARD

Domestic and commercial use

Fast easy installation

Dual Flush

Quiet operation

**Illustrated**

**E9326** In-wall system for WC, 820mm high, mechanical top or front operation flushplate

**Material**

Steel

**Weight**

In-wall system for WC 15kg

**Capacity**

6/3 litres dual flush  
Can be converted to 4.5/3

**Finishes**

Available in Neutral / No Finish (67)

**Options**

**VV6385** River flush plate, dual flush, mechanical (Available in White (81), Chromium plated (84))

**VV6590** Slim flush plate, dual flush, mechanical (Available in Chromium plated (44), Satin Chrome (46))

**Special notes**

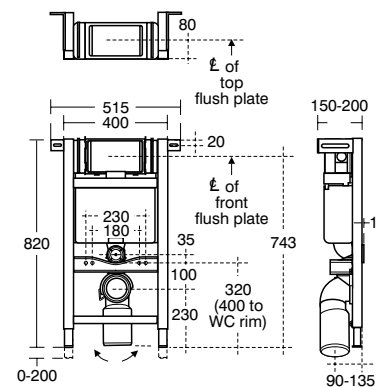
Suitable for use with any Ideal Standard or Armitage WC at 6 litre flush. \*Please check for lower flush volumes.

WCs

# In-Wall Frames

## 820mm high pneumatic

WC in wall frames provide a simple answer to installing wall mounted WCs in a secure frame that incorporates a built in cistern. Quiet filling and quiet pneumatic operation.



November 2017	
Uniclass PR_40_20	CAWS N13
C/S/FB	(74)

IDEAL STANDARD

Domestic and commercial use

Fast easy installation

Dual Flush

Quiet operation

**Illustrated**

**E9329** In-wall system for WC, 820mm high, pneumatic top or front operation flushplate

**Material**

Steel

**Weight**

In-wall system for WC 15kg

**Capacity**

6/3 litres dual flush  
Can be converted to 4.5/3

**Finishes**

Available in Neutral / No Finish (67)

**Options**

**VV6400** Salina flush plate, dual flush, pneumatic (Available in Chromium plated (84), Satin Chrome (86))

**E4465** Karisma flush plate, dual flush, pneumatic (Available in Chromium plated (04), Satin Chrome (06))

**VV6398** Trend stainless steel flush plate, dual flush, pneumatic with tamper resistant screws (Available in Chrome finish (64), Satin finish (66))

**Special notes**

Suitable for use with any Ideal Standard or Armitage WC at 6 litre flush. \*Please check for lower flush volumes.



November 2017	
Uniclass PR_40_20	CAWS N13
CI/SFB	(74)

November 2017	
Uniclass PR_40_20	CAWS N13
CI/SFB	(74)

# WCs

## Seats

## Contour 21 standard seat

A range of seats in plastic for use in schools and public buildings.



Conform to BS 1254  
With no cover or cover option

**Illustrated**

**S4065** Contour 21 seat and cover, top fixing hinges

**Material**

Plastic

**Weight**

1.2kg

**Colour**

Available in White (01), Blue (36), Grey (LJ), Charcoal (RN)

**Standards**

Seat to BS 1254

**Options**

**S4066** Contour 21 seat no cover, top fixing hinges and retaining buffers



## Contour 21+ thin seat

Contour 21+ slim seat and cover for use with standard projection, standard height pans for non clinical use.



Contemporary slim design  
Slow close

**Illustrated**

**S0670** Contour 21+ slow close seat and cover with top fix hinges

**Material**

Plastic

**Weight**

1.5kg

**Colour**

Available in White (01)

**Standards**

Seat to BS 1254



## Contour 21 Splash schools seat 355

A range of bright coloured school washroom toilet seats for use with 355 Contour 21 Splash WC range. Made from heavy duty polypropylene to withstand tough usage.



Available in 4 bright colour options  
Easy open lid handle  
Seat only options  
Durable polypropylene

**Illustrated**

**S4536** Contour 21 Splash seat and cover for 355mm bowls

**Material**

Plastic

**Weight**

2.7kg

**Finishes**

Available in Yellow (79), Red (GQ), Light Blue (36), White (01)

**Standards**

Seat to BS 1254

**Options**

**S4545** Contour 21 Splash seat ring only for 355mm bowls



## Contour 21 Splash schools seat 305

A range of bright coloured school washroom toilet seats for use with the 305 Contour 21 Splash WC range. Made from heavy duty polypropylene to withstand tough usage.



Available in 4 bright colour options  
Support handles on seat for young children  
Durable Polypropylene  
Seat only Options  
Easy open lid handle

**Illustrated**

**S4533** Contour 21 Splash seat and cover for 305mm bowls

**Weight**

2.7kg

**Finishes**

Available in Yellow (79), Red (GQ), Light Blue (36), White (01)

**Standards**

Seat to BS 1254

**Options**

**S4542** Contour 21 Splash seat ring only for 305mm bowl



Uniclass PR_40_20	CAWS N13
CI/SFB	(74)

Seats

WCs



# Washbasins



Pedestal and Wall	3:1:1
Semi-countertop	3:2:1
Countertop	3:3:1
Under-countertop	3:4:1
Handrinse	3:5:1
Fittings	3:6:1

## Icon key

	Residential
	Public Places
	Water Savings
	Hospitals & Healthcare
	Disabled Access
	Doc M Compliant
	Education
	Spacesaving
	Hotels
	Anti-vandal

November 2017	
Uniclass PR_40_20	CAWS N13
CI/SFB	(74)

November 2017	
Uniclass PR_40_20	CAWS N13
CI/SFB	(74)

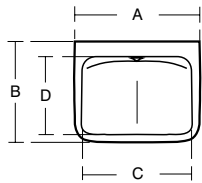
# Washbasins

## Pedestal and Wall

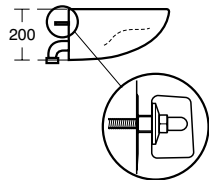
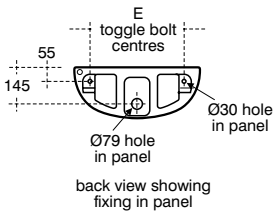
## Washbasins

# Contour 21+ 60 - 50 back outlet

Contour 21+ washbasins are specially designed for use with ducted services and have the advantage of a new back outlet compact waste system with an anti-microbial treatment. The basins incorporate a hydrophilic glaze with anti-microbial qualities and a new easy fixation system. This basin also includes an anti-splash 'fin' feature.



	A	B	C	D	E
<b>50cm</b>	500	400	435	310	375
<b>60cm</b>	600	480	520	385	475



November 2017	
Uniclass PR_40_20	CAWS N13
CUSFB	(74)

ARMITAGE SHANKS

Commercial, hospital and healthcare use

Two sizes and handrinse version

Designed for ducted panel services

Concealed back outlet

Hydrophilic glaze with anti-microbial properties

New easy fixation

Anti-splash feature

### Illustrated

- S0430** Contour 21+ 50cm back outlet washbasin, no tapholes, no overflow with anti-splash and anti-microbial glaze
- A6682** Markwik 21+ panel mounted thermostatic basin mixer, single sequential lever, demountable with removable spout
- S0388** Contour 21+ basin fixation set
- S0386** Contour 21+ waste pack with SmartGuard for wall mounted basin

### Material

Vitreous China

### Weight

50cm Washbasin 13.0kg  
60cm Washbasin 15.0kg  
Basin Mixer 4.0kg

### Finishes

White with SmartGuard (HY)

### Standards

Vitreous china to BS 3402.  
Washbasin to BS EN 14688 and BS EN 31

### Options

**S0444** Contour 21+ 60cm back outlet washbasin, no tapholes, no overflow with anti-splash and anti-microbial glaze

### Special notes

Suggested rim heights; 780-800 for ambulant users 680-700 for wheelchair users.  
Washbasin panel mounted using the S0388 Contour 21+ fixation set.



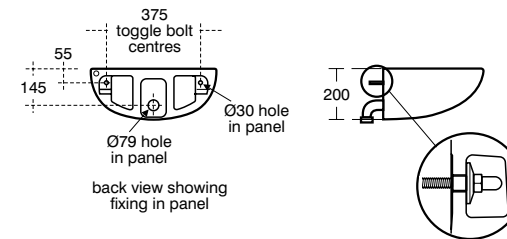
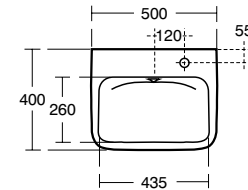
3 : 1 : 2

Tel 0870 122 8822 Fax 0870 122 8282  
Email [info@thebluebook.co.uk](mailto:info@thebluebook.co.uk)  
Online search, specify & CAD: [www.thebluebook.co.uk](http://www.thebluebook.co.uk)

## Washbasins

# Contour 21+ 50 back outlet

Contour 21+ washbasins are specially designed for use with ducted services and have the advantage of a new back outlet compact waste system with an anti-microbial treatment. The basins incorporate a hydrophilic glaze with anti-microbial qualities and a new easy fixation system.



November 2017	
Uniclass PR_40_20	CAWS N13
CUSFB	(74)

ARMITAGE SHANKS

Commercial, hospital and healthcare use

40cm handrinse version available

Designed for ducted panel services

Concealed back outlet

Hydrophilic glaze with anti-microbial properties

New easy fixation

Left and right hand taphole options

### Illustrated

- S0432** Contour 21+ 50cm back outlet washbasin, one right hand taphole, no overflow with anti-microbial glaze
- A6696** Markwik 21+ 1 hole thermostatic basin mixer, single sequential lever, demountable with copper tails
- A6791** Markwik 21+ basin mixer fixing kit for use with Contour 21+ closed basin
- S0388** Contour 21+ basin fixation set
- S0387** Contour 21+ waste pack with SmartGuard for tap deck basin

### Material

Vitreous China

### Weight

50cm Washbasin 13.0kg  
Basin Mixer 2.5kg

### Finishes

White with SmartGuard (HY)

### Standards

Vitreous china to BS 3402.  
Washbasin to BS EN 14688 and BS EN 31

### Options

**S0431** Contour 21+ 50cm back outlet washbasin, one left hand taphole, no overflow with anti-microbial glaze

### Special notes

Suggested rim heights; 780-800 for ambulant users, 680-700 for wheelchair users.  
Washbasin panel mounted using the S0388 fixation set.



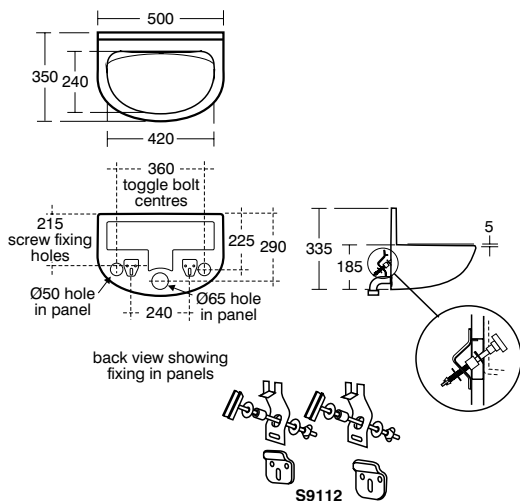
3 : 1 : 3

Tel 0870 122 8822 Fax 0870 122 8282  
Email [info@thebluebook.co.uk](mailto:info@thebluebook.co.uk)  
Online search, specify & CAD: [www.thebluebook.co.uk](http://www.thebluebook.co.uk)

# Contour 21

## 50 back outlet upstand

LB H M hospital pattern basin, with 150mm upstand and integral back outlet, for connection to concealed services with concealed fixings, no tapholes, no overflow, no chain hole, no plug.



November 2017	
Uniclass PR_40_20	CAWS N13
CUSFB	(74)

### ARMITAGE SHANKS

Medium hospital pattern basin

Washing under running water

Fully concealed services

#### Illustrated

**S2144** Contour 21 50cm back outlet washbasin, with 150mm upstand no tapholes, no overflow, no chainstay hole

**A6682** Markwik 21+ panel mounted thermostatic basin mixer, single sequential lever, demountable with removable spout

**A6252** Spout 100mm for Markwik 21 mixer, fitted with interchangeable Armitage Bioguard outlet

**S8750** Waste 1¼" outlet adaptor for all Contour back outlet washbasins

**S8920** Trap 1¼" plastic resealing bottle, 75mm seal

**S9112** Concealed hangers pressed Steel, toggle bolts and clips for Contour washbasins

#### Material

Vitreous China

#### Weight

50cm Washbasin 14.0kg

#### Finishes

Available in White (01)

#### Standards

Vitreous china to BS 3402

#### Options

**A4846** Sensorflow 21 compact tubular panel mounted 150mm projection spout, anti splash or anti vandal laminar flow outlet, integral sensor, copper tube inlets, mains

**A4847** Sensorflow 21 compact tubular panel mounted 150mm projection spout, anti splash or anti vandal laminar flow outlet, integral sensor, copper tube inlets, link

**A4845** Sensorflow 21 compact tubular panel mounted 150mm projection spout, anti splash or anti vandal laminar flow outlet, integral sensor, copper tube inlets, battery

#### Special notes

Toggle bolts and outlet adaptor are suitable for panel thickness up to 18mm. Suggested rim height 780-800mm. Washbasin wall mounted using S9112 hangers with additional toggle bolt and clips when panel mounted. Suitable TB H6 wall mounted taps will need to be positioned sufficiently above the upstand to a maximum of 200mm from base of outlet to lip of washbasin.



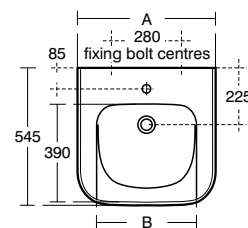
3 : 1 : 4

Tel 0870 122 8822 Fax 0870 122 8282  
Email [info@thebluebook.co.uk](mailto:info@thebluebook.co.uk)  
Online search, specify & CAD: [www.thebluebook.co.uk](http://www.thebluebook.co.uk)

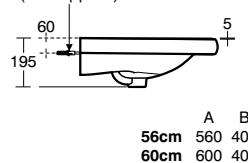
# Contour 21

## 60 - 55 accessible

Contour 21 accessible 60cm and 55cm washbasins are designed specifically to allow people using wheelchairs access to the washbasin wash area. Innovative hand hold facility around front rim of basin.



E0157 wall fixing set (not supplied)



	A	B
56cm	560	400
60cm	600	405

November 2017	
Uniclass PR_40_20	CAWS N13
CUSFB	(74)

### ARMITAGE SHANKS

Commercial and domestic use

Provides knee clearances

Available in two sizes

Ergonomic design

Innovative hand hold facility

Option for wall or panel fixing

#### Illustrated

**S2168** Contour 21 60cm accessible washbasin, 1 taphole with overflow

**A6697** Contour 21+ 1 hole thermostatic basin mixer, single sequential lever with copper tails

**S8733** Waste 1¼" brass anti theft swivel plug waste, 80mm slotted tail

**E0079** Trap 1¼" Contemporary metal bottle

**E0157** Wall fixing set

#### Material

Vitreous China

#### Weight

60cm Washbasin 17.6kg

#### Finishes

Available in White (01)

#### Standards

Vitreous china to BS 3402. Washbasin to BS EN 14688 & BS EN 31. Conforms to Doc M and HTM 04

#### Options

**S2169** Contour 21 60cm accessible washbasin, 2 tapholes with overflow and chainstay hole

**S2167** Contour 21 60cm accessible washbasin, no tapholes with overflow

**S2165** Contour 21 55cm accessible washbasin, 1 taphole with overflow

**S2164** Contour 21 55cm accessible washbasin, no tapholes with overflow

**S2166** Contour 21 55cm accessible washbasin, 2 tapholes with overflow and chainstay hole

**A6698** Contour 21+ 1 hole thermostatic basin mixer, single sequential lever with flexible tails

**A6790** Contour 21+ Outline 1 hole thermostatic basin mixer, single sequential lever with flexible tails

#### Special notes

Suitable for use with handrinse basins in public areas and Doc M. Satisfies DDA requirements. Meets the requirements laid out in HTM 64, HTM 04. Single easy use lever operates on/off and temperature control. Eliminates the need for premixed water. Washbasin wall mounted using E0157.



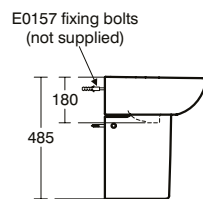
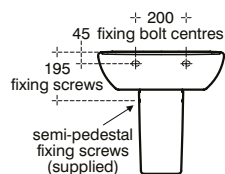
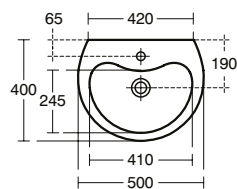
3 : 1 : 5

Tel 0870 122 8822 Fax 0870 122 8282  
Email [info@thebluebook.co.uk](mailto:info@thebluebook.co.uk)  
Online search, specify & CAD: [www.thebluebook.co.uk](http://www.thebluebook.co.uk)

# Contour 21 Splash

## 50 schools

Specially designed basins for schools combine fun shapes with practical ergonomic designs for easy cleaning.



November 2017	
Uniclass PR_40_20	CAWS N13
C/S/F/B	(74)

ARMITAGE SHANKS

Key Stage 2

Fun shaped design

1 or 2 tap hole options

Semi pedestal option

### Illustrated

**S2690** Contour 21 Splash 50cm Schools basin with overflow - one taphole

**S2994** Contour 21 Splash semi pedestal for 50cm basins

**B8263** Avon 21 washbasin mixer 1 hole, self closing push button, variable temperature control with 15mm female connector flexible hoses on inlets

**S8722** Waste 1¼" brass strainer waste, 80mm slotted tail

**E0157** Wall fixing set

### Material

Vitreous China

### Weight

50cm Washbasin 11.5kg

Semi-pedestal 5.5kg

### Finishes

Available in White (01)

### Standards

Vitreous china to BS 3402

### Options

**S2691** Contour 21 Splash 50cm Schools basin with overflow - two tapholes

**B8262** Piccolo 21 inclined ½" washbasin pillar taps, lever operated, dual hot and cold indices, anti-vandal water saving nozzle

**A4852** Sensorflow 21 compact washbasin mounted spout integral sensor servicing valve and filter, copper tube inlets, mains

**A4853** Sensorflow 21 compact washbasin mounted spout integral sensor servicing valve and filter, copper tube inlets, link

**A4851** Sensorflow 21 compact washbasin mounted spout integral sensor servicing valve and filter, copper tube inlets, battery

**S8920** Trap 1¼" plastic resealing bottle, 75mm seal, multi-purpose outlet

**S8900** Trap 1¼" metal bottle, 75mm seal, outlet screwed 1¼" BSP male with compression nut and ring

### Special notes

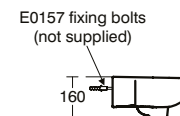
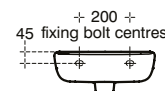
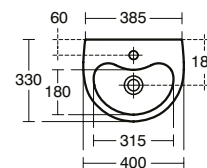
Recommended fixing heights (floor to front rim); Nursery use 600mm Infant use 700mm Junior use 750mm Senior/adult use 780-800mm. Washbasin wall mounted using E015767 wall fixing set or panel mounted using E006267 fixing set.



# Contour 21 Splash

## 40 schools

Specially designed basins for schools combine fun shapes with practical ergonomic designs for easy cleaning.



November 2017	
Uniclass PR_40_20	CAWS N13
C/S/F/B	(74)

ARMITAGE SHANKS

Key stage 1

Fun shaped design

1 or 2 tap hole options

### Illustrated

**S2635** Contour 21 Splash 40cm Schools basin with overflow - one taphole

**B8263** Avon 21 washbasin mixer 1 hole, self closing push button, variable temperature control with 15mm female connector flexible hoses on inlets

**S8722** Waste 1¼" brass strainer waste, 80mm slotted tail

**S8920** Trap 1¼" plastic resealing bottle, 75mm seal, multi-purpose outlet

**E0157** Wall fixing set

### Material

Vitreous China

### Weight

50cm Washbasin 7.7kg

### Finishes

Available in White (01)

### Standards

Vitreous china to BS 3402

### Options

**S2636** Contour 21 Splash 40cm Schools basin with overflow - two tapholes

**B8262** Piccolo 21 inclined ½" washbasin pillar taps, lever operated, dual hot and cold indices, anti-vandal water saving nozzle

**S8900** Trap 1¼" metal bottle, 75mm seal, outlet screwed 1¼" BSP male with compression nut and ring

**S8733** Waste 1¼" brass anti theft swivel plug waste, 80mm slotted tail

**S8800** Waste 1¼" plastic waste with bead chain and plug, 80mm slotted tail, bolt stay

### Special notes

Recommended fixing heights (floor to front rim); Nursery use 600mm Infant use 700mm Junior use 750mm Senior/adult use 780-800mm. Washbasin wall mounted using E015767 wall fixing set or panel mounted using E006267 fixing set

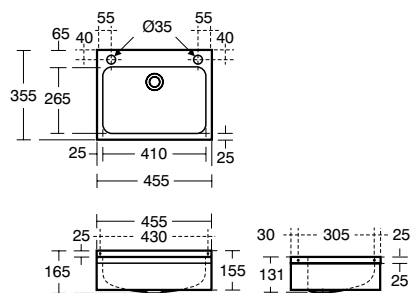


## Washbasins

# Denholm 2

## 46 wall hung

New style 46cm vandal resistant washbasin.



November 2017	
Uniclass PR_40_20	CAWS N13
C/SFB	(74)

ARMITAGE SHANKS

Anti Vandal  
Stainless Steel

### Illustrated

**S2625** Denholm 2 46cm washbasin with 2 corner tapholes complete with combined chainstay overflow waste, complete with semi-shroud

**B8267** Avon 21 washbasin inclined pillar taps (pair) with dual Hot and Cold indices per tap, self closing push button non concussive, water saving anti-vandal nozzle regulated to 5 litres per minute maximum. Alternative low pressure outlet option supplied.

**S8920** Trap 1¼" plastic resealing bottle, 75mm seal

### Material

Stainless Steel

### Weight

46cm Washbasin 3.8kg

### Finishes

Available in Stainless Steel (MY)

### Standards

Steel sheet conforms to BS EN 10088:Part2:2005 Material 1.4301 (304) - 0.9mm

### Options

**S2626** Denholm 2 46cm stainless steel washbasin with right hand taphole, no overflow or chainstay hole. Supplied complete with strainer waste.

**S2627** Denholm 2 46cm stainless steel washbasin with no tapholes, no overflow or chainstay hole. Supplied complete with strainer waste.

### Special notes

Stainless steel screw to wall brackets and bolts inclusive. Consideration should be given to safe hot water delivery and the use of an appropriate temperature reduction device see A5900 or Part G for guidance.



3 : 1 : 8

Armitage  
Shanks

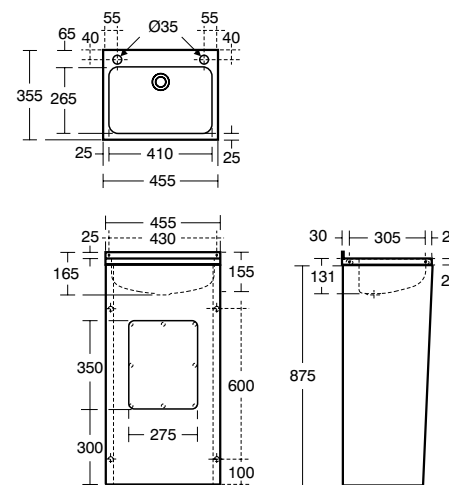
Tel 0870 122 8822 Fax 0870 122 8282  
Email [info@thebluebook.co.uk](mailto:info@thebluebook.co.uk)  
Online search, specify & CAD: [www.thebluebook.co.uk](http://www.thebluebook.co.uk)

## Washbasins

# Denholm 2

## 46 with shroud

New style 46cm vandal resistant washbasin. Stainless steel sheet washbasin can be fitted with a shroud to conceal plumbing fittings.



November 2017	
Uniclass PR_40_20	CAWS N13
C/SFB	(74)

ARMITAGE SHANKS

Anti Vandal  
Stainless Steel  
Duct or Surface fixing

### Illustrated

**S2625** Denholm 2 46cm washbasin with 2 corner tapholes complete with combined chainstay overflow waste

**B8267** Avon 21 washbasin inclined pillar taps (pair) with dual Hot and Cold indices per tap, self closing push button non concussive, water saving anti-vandal nozzle regulated to 5 litres per minute maximum. Alternative low pressure outlet option supplied.

**S8920** Trap 1¼" plastic resealing bottle, 75mm seal

**S2992** Denholm 2 washbasin shroud stainless steel for surface fixing with access panel

### Material

Stainless Steel

### Weight

46cm Washbasin 3.8kg

### Finishes

Available in Stainless Steel (MY)

### Standards

Steel sheet conforms to BS EN 10088:Part2:2005 Material 1.4301 (304) - 0.9mm

### Options

**S2626** Denholm 2 46cm stainless steel washbasin with right hand taphole, no overflow or chainstay hole supplied complete with strainer waste

**S2627** Denholm 2 46cm stainless steel washbasin with no tapholes, no overflow or chainstay hole supplied complete with strainer waste

**S2993** Shroud for duct fixing

### Special notes

Earthing tag and brackets included please specify the type of shroud. Consideration should be given to safe hot water delivery and the use of an appropriate temperature reduction device see A5900 or Part G for guidance.



3 : 1 : 8

Armitage  
Shanks

Tel 0870 122 8822 Fax 0870 122 8282  
Email [info@thebluebook.co.uk](mailto:info@thebluebook.co.uk)  
Online search, specify & CAD: [www.thebluebook.co.uk](http://www.thebluebook.co.uk)



## Washbasins

# Leadenhall

## 55 back outlet

Designed by Richard Rogers Partnership for a future landmark building in London.

November 2017	
Uniclass PR_40_20	CAWS N13
CUSFB	(74)

ARMITAGE SHANKS

Domestic and commercial use

Streamline design

Concealed back outlet

Easy to clean

### Illustrated

**S2058** Leadenhall 55cm washbasin, back outlet, no tapholes

**A4849** Sensorflow 21 compact tubular panel mounted 230mm projection spout, anti splash or anti vandal laminar flow outlet, integral sensor, copper tube inlets, mains

**S8750** Waste 1¼" outlet adaptor for all Contour back outlet washbasins

**S8920** Trap 1¼" plastic resealing bottle, 75mm seal

**S9112** Concealed hangers pressed steel, toggle bolts and clips for Contour washbasins

### Material

Fine Fireclay

### Weight

55cm Washbasin 20.0kg

### Finishes

Available in White (01)

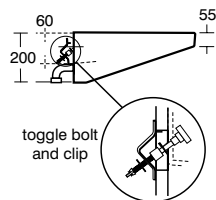
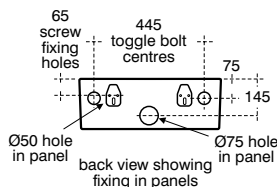
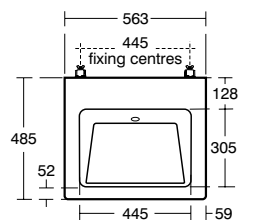
### Options

**A4850** Sensorflow 21 compact tubular panel mounted 230mm projection spout, anti splash or anti vandal laminar flow outlet, integral sensor, copper tube inlets, link

**A4848** Sensorflow 21 compact tubular panel mounted 230mm projection spout, anti splash or anti vandal laminar flow outlet, integral sensor, copper tube inlets, battery

### Special notes

Washbasin wall mounted using S9112 hangers or panel mounted using S9112 hangers, toggle bolts & clips. Toggle bolts and outlet adaptor suitable for panel thickness up to 18mm. Consideration should be given to safe hot water delivery and the use of an appropriate temperature reduction device see A5900 or Part G for guidance.



S9112



3 : 1 : 10

Armitage  
Shanks

Tel 0870 122 8822 Fax 0870 122 8282  
Email [info@thebluebook.co.uk](mailto:info@thebluebook.co.uk)  
Online search, specify & CAD: [www.thebluebook.co.uk](http://www.thebluebook.co.uk)

## Washbasins

# Portman 21

## 55 - 50

Extension to the Portman range, modern design in vitreous china most suited to pedestal and semi-pedestal fixing.

November 2017	
Uniclass PR_40_20	CAWS N13
CUSFB	(74)

ARMITAGE SHANKS

Commercial and domestic use

2 sizes 50 & 55cm with 1 or 2 taphole options

### Illustrated

**S2478** Portman 21 55cm pedestal washbasin 1 taphole with overflow

**S2989** Portman 21 full pedestal

**B9135** Piccolo 21 single lever 1 hole basin mixer with pop-up waste, fitted 5 litres per minute aerated flow regulator, optional flow straightener, EasyFix, temperature limit stop, flexible tails

**S8910** Trap 1¼" plastic bottle, 75mm seal

### Material

Vitreous China

### Weight

55cm Washbasin 13.8kg

Full pedestal 6.2kg

### Finishes

Available in White (01)

### Standards

Vitreous china to BS 3402. Washbasin to BS EN 14688 & BS EN 31

### Options

**S2991** Portman 21 semi-pedestal

**E0157** Wall fixing set

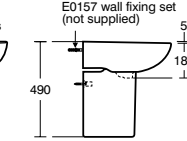
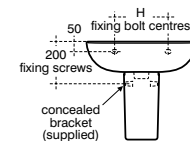
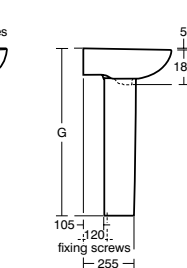
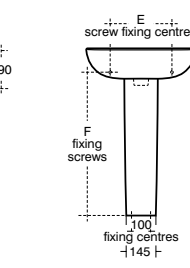
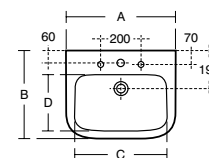
**S2479** Portman 21 55cm pedestal washbasin 2 tapholes with overflow and chainstay hole

**S2481** Portman 21 50cm pedestal washbasin 1 taphole with overflow

**S2482** Portman 21 50cm pedestal washbasin 2 tapholes with overflow and chainstay hole

### Special notes

Washbasin wall mounted using E0157 wall fixing set with semi pedestal fixed to wall with brackets supplied or full pedestal mounted using 2 screws through the back of the basin (not supplied)



A	B	C	D	E	F	G	H
550	440	460	280	315	720	835	280
500	420	420	265	250	715	830	190



3 : 1 : 11

Tel 0870 122 8822 Fax 0870 122 8282  
Email [info@thebluebook.co.uk](mailto:info@thebluebook.co.uk)  
Online search, specify & CAD: [www.thebluebook.co.uk](http://www.thebluebook.co.uk)

Armitage  
Shanks

# Portman 21

60 - 50 - 40

Modern design washbasin in vitreous china in 3 sizes, 60cm, 50cm and 40cm.



November 2017	
Uniclass PR_40_20	CAWS N13
C/SFB	(74)

ARMITAGE SHANKS

Commercial and domestic use

Anti vandal applications

Three sizes available

With or without overflow

5 taphole options for 50cm basin

Option for wall or panel fixing set

**Illustrated**

**S2309** Portman 21 50cm washbasin, 2 tapholes with overflow and chainstay hole

**E0157** Wall fixing set

**B8267** Avon 21 washbasin inclined pillar taps (pair) with dual Hot and Cold indices per tap, self closing push button non concussive, water saving anti-vandal nozzle regulated to 5 litres per minute maximum. Alternative low pressure outlet option supplied.

**S8800** Waste 1¼" plastic waste with bead chain and plug, 80mm slotted tail, bolt stay

**S8920** Trap 1¼" plastic resealing bottle, 75mm seal

**Material**

Vitreous China

**Weight**

50cm Washbasin 12.7kg

**Finishes**

Available in White (01)

**Standards**

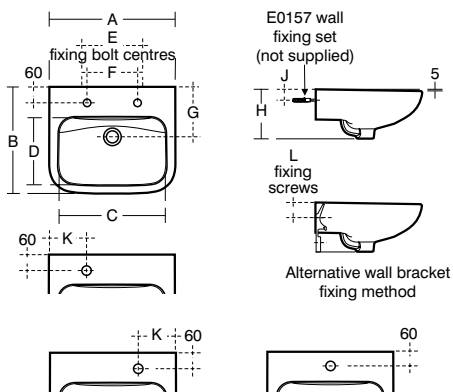
Vitreous china to BS 3402. Washbasin to BS EN 14688 & BS EN 31

**Options**

**E0062** Panel fixing set  
(Please see Portman 21 variants page)

**Special notes**

Washbasin wall mounted using E0157 wall fixing set or panel mounted using E0062 panel fixing set.



A	B	C	D	E	F	G	H	J	K	L
400	365	335	215	200	100	190	175	45	150	125
500	420	420	265	240	200	195	195	45	150	125
600	480	505	315	280	200	195	200	60	200	145



# Portman 21 Variants

60 - 50 - 40

Modern design washbasin in vitreous china in 3 sizes, 60cm, 50cm and 40cm.

November 2017	
Uniclass PR_40_20	CAWS N13
C/SFB	(74)

ARMITAGE SHANKS

40cm	50cm	60cm	
S2317	S2309	S2257	2 tapholes with overflow and chainstay hole
S2313*	S2310		2 tapholes with overflow, no chainstay hole *170mm between tap hole centres
S2158	S2253	S2294	2 tapholes no overflow, no chainstay hole
S2314	S2254	S2298	One right hand taphole no overflow, no chainstay hole
S2159	S2308		One left hand taphole no overflow, no chainstay hole
S2157	S2311	S2256	One central taphole (for monoblock) with overflow, no chainstay hole
S2315	S2252	S2293	One centre taphole (for monoblock) no overflow, no chainstay hole
S2156	S2251	S2255	No tapholes no overflow no chainstay hole

## Washbasins

# Salonex

## 61 hairdressers

Shampoo washbasin for hairdressing salons and health and welfare centres. Available with two tapholes at 20cm centres.

November 2017	
Uniclass PR_40_20	CAWS N13
C/S/F/B	(74)

ARMITAGE SHANKS

Commercial use  
Specialist use  
Hairdressing salons  
Health and welfare

### Illustrated

**S2300** Salonex 61cm washbasin with 2 tapholes

**S7450** Starlite hairdressers washbasin mixer 1 hole with metal handles, flexible hose, handspray and metal sleeve. (inlets plain 10mm copper pipe)

**S8730** Waste 1¼" brass strainer waste with lift out grid

**S8900** Trap 1¼" metal bottle, 75mm seal, outlet screwed 1¼" BSP male with compression nut and ring

**S9175** Salonex brackets, screw to wall, Aluminium alloy

### Material

Vitreous China

### Weight

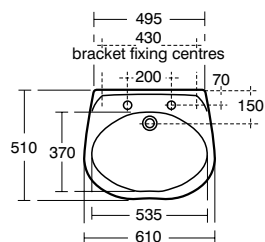
61cm Washbasin 14.3kg

### Finishes

Available in White (01)

### Special notes

Washbasin wall mounted using S9175 support brackets



S9175 (pair)



## Washbasins

# Sandringham 21

55 - 50

Sandringham 21 washbasin suitable for pedestal or wall fixing. Available with 1 centre taphole or 2 tapholes at 20cm centres.

November 2017	
Uniclass PR_40_20	CAWS N13
C/S/F/B	(74)

ARMITAGE SHANKS

Domestic and commercial use  
Pedestal or wall mounted  
Taphole and chainstay options  
Part of Sandringham 21 suite

### Illustrated

**E8951** Sandringham 21 55cm washbasin, 2 tapholes, with overflow and chainstay hole

**E8976** Sandringham 21 full pedestal

**B9865** Sandringham 21 basin pillar taps

**S8800** Waste 1¼" plastic waste with bead chain and plug, 80mm slotted tail, bolt stay

**S8950** Trap 1¼" plastic P for use with cloakroom pedestal

**S8950** Trap 1¼" plastic P for use with cloakroom pedestal

**S8950** Trap 1¼" plastic P for use with cloakroom pedestal

### Material

Vitreous China

### Weight

55cm Washbasin 15.5kg

Full pedestal 10.3kg

### Finishes

Available in White (01)

### Standards

Vitreous china to BS 3402. Washbasin to BS EN 14688 & BS EN 31

### Options

**E0157** Wall fixing set

**E8949** Sandringham 21 55cm washbasin, 1 taphole, with overflow no chainstay hole

**E8962** Sandringham 21 55cm washbasin, 1 taphole, with overflow and chainstay hole

**E8945** Sandringham 21 50cm washbasin, 1 taphole, with overflow no chainstay hole

**E8946** Sandringham 21 50cm washbasin, 2 taphole, with overflow and chainstay hole

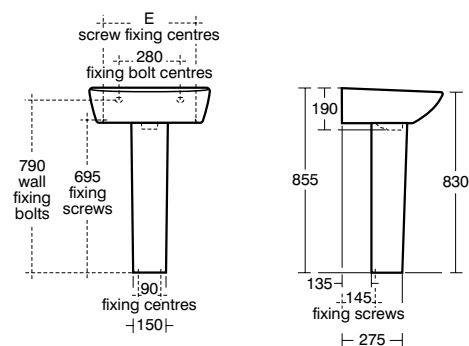
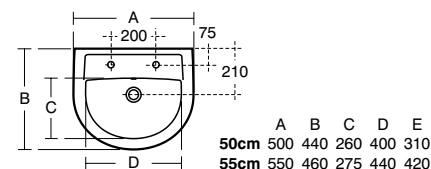
**E8946** Sandringham 21 50cm washbasin, 2 taphole, with overflow and chainstay hole

**E8946** Sandringham 21 50cm washbasin, 2 taphole, with overflow and chainstay hole

**E8946** Sandringham 21 50cm washbasin, 2 taphole, with overflow and chainstay hole

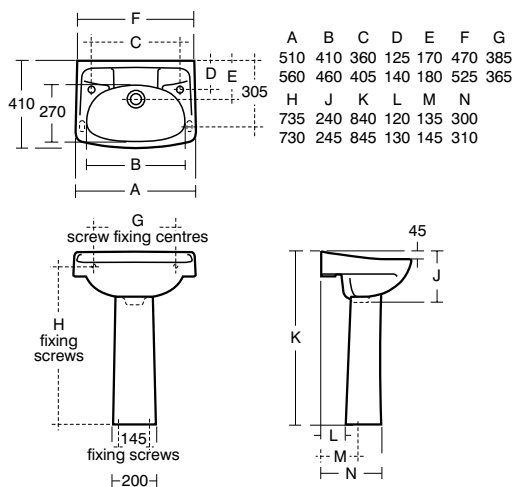
### Special notes

Washbasin wall mounted using E0157 wall fixing set or full pedestal mounted using 2 screws through the back of the basin (not supplied)



# Sandringham Royalex 56 - 51

Available in 2 sizes, 56cm x 41cm, 51cm x 41cm, this vitreous china washbasin is suitable for wall or pedestal fixing.



November 2017	
Uniclass PR_40_20	CAWS N13
CUSFB	(74)

## ARMITAGE SHANKS

Domestic and public uses

Corner tapholes

Anti vandal

British Standard washbasin

Two sizes

### Illustrated

**S2170** Sandringham Royalex 56cm washbasin, 2 corner tapholes with overflow and chainstay hole

**S2955** Ova Pedestal

**B9865** Sandringham 21 Washbasin Pillar Taps

**S8800** Waste 1¼" plastic waste with bead chain and plug, 80mm slotted tail, bolt stay

**S8910** Trap 1¼" plastic bottle, 75mm seal

### Material

Vitreous China

### Weight

56cm Washbasin 14.1kg

Pedestal 10.5kg

### Finishes

Available in White (01)

### Standards

Vitreous china to BS 3402 - Washbasin to BS 1188

### Options

**S9110** Concealed wall hangers

**S2180** Sandringham Royalex 51cm washbasin with two corner tapholes and chainstay hole

### Special notes

Washbasin wall mounted using S9110 hangers and S9145 bracket (when appropriate) or full pedestal mounted using 2 screws through the back of the basin (not supplied). Note: A pop up waste cannot be fitted when using S9145 bracket

November 2017	
Uniclass PR_40_20	CAWS N13
CUSFB	(74)

# Washbasins

## Semi-countertop



# Contour 21 Splash

## 40 semi-countertop

Compact semi-countertop basin perfect for new school washrooms or washroom refurbishment. The size allows for more basins in a run.



November 2017	
Uniclass PR_40_20	CAWS N13
C/SFB	(74)

ARMITAGE SHANKS

Primary or nursery  
Fun shaped design  
Part of an extensive range  
Space saving design

**Illustrated**

**S0436** Contour 21 Splash 40cm semi-countertop washbasin, 1 taphole with overflow  
**B8263** Avon 21 washbasin mixer 1 hole, self closing push button, variable temperature control with 15mm female connector flexible hoses on inlets  
**S8722** Waste 1¼" brass strainer waste, 80mm slotted tail  
**S8910** Trap 1¼" plastic bottle, 75mm seal, multi-purpose outlet

**Material**

Vitreous China

**Weight**

40cm Washbasin 8.9kg

**Finishes**

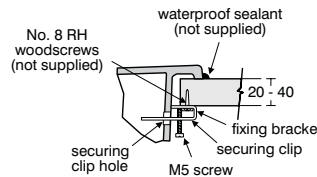
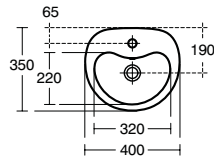
Available in White (01)

**Standards**

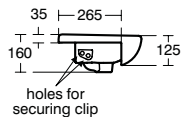
Vitreous china to BS 3402. Washbasin to BS EN 14688 & BS EN 31

**Special notes**

Washbasin fixed to countertop with securing clips provided. Joint sealed with waterproof sealant (not supplied)



section through basin showing securing clip



# Profile 21

## 50 semi-countertop

Profile 21 practical and versatile vanity washbasin for use in fitted furniture, vanity units and countertops. No overflow versions for healthcare applications.



November 2017	
Uniclass PR_40_20	CAWS N13
C/SFB	(74)

ARMITAGE SHANKS

Domestic and commercial use  
1 and 2 taphole options

**Illustrated**

**S2492** Profile 21 50cm semi-countertop washbasin, 1 taphole with overflow no chainstay hole  
**B8261** Piccolo 21 single lever 1 hole basin mixer with pop-up waste, 4.7 litres per minute laminar flow regulator, anti-vandal outlet, optional flow straightener, flexible tails  
**S8910** Trap 1¼" plastic bottle, 75mm seal

**Material**

Fine Fireclay

**Weight**

50cm Washbasin 12.0kg

**Finishes**

Available in White (01)

**Standards**

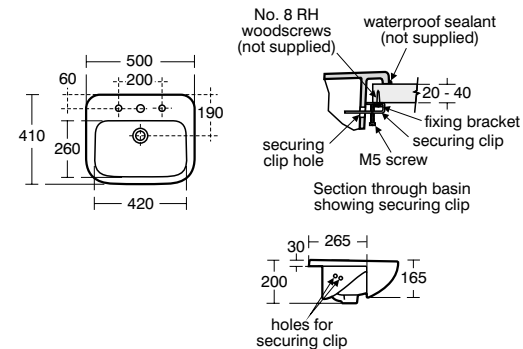
Washbasin to BS EN 14688 & BS EN 31

**Options**

**S2494** Profile 21 50cm semi-countertop washbasin 2 tapholes with overflow no chainstay hole  
**S2495** Profile 21 50cm semi-countertop washbasin 2 tapholes no overflow with chainstay hole  
**S2493** Profile 21 50cm semi-countertop washbasin 1 taphole no overflow or chainstay hole  
**S2588** Profile 21 50cm semi-countertop washbasin 1 right hand taphole no overflow or chainstay hole

**Special notes**

Washbasin fixed to countertop with securing clips provided. Joint sealed with waterproof sealant (not supplied)



# Sandringham 21

## 50 semi-countertop

Sandringham 21 general purpose 50cm semi-countertop washbasin providing stylish and cost effective solutions.

November 2017	
Uniclass PR_40_20	CAWS N13
C/SFB	(74)

### ARMITAGE SHANKS

Domestic and commercial use

Single or 2 taphole options

No chainstay hole version

Economical

#### Illustrated

**E8959** Sandringham 21 50cm semi-countertop washbasin, 2 tapholes with overflow and chainstay hole

**B9865** Sandringham 21 washbasin pillar taps

**S8800** Waste 1¼" plastic waste with bead chain and plug, 80mm slotted tail, bolt stay

**S8920** Trap 1¼" plastic resealing bottle, 75mm seal

#### Material

Vitreous China

#### Weight

50cm Washbasin 13.4kg

#### Finishes

Available in White (01)

#### Standards

Vitreous china to BS 3402. Washbasin to BS EN 14688 & BS EN 31

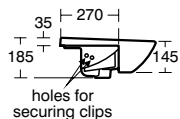
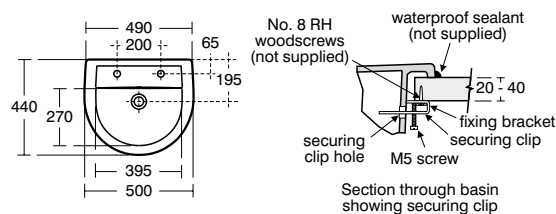
#### Options

**E8958** Sandringham 21 50cm semi-countertop washbasin, 1 taphole with overflow no chainstay hole

**E8961** Sandringham 21 50cm semi-countertop washbasin, 2 tapholes with overflow no chainstay hole

#### Special notes

Washbasin fixed to countertop with securing clips provided. Joint sealed with waterproof sealant (not supplied)



November 2017	
Uniclass PR_40_20	CAWS N13
C/SFB	(74)

# Washbasins

## Countertop

## Washbasins

# Berwick 2

## 47 countertop

New inset countertop wash basin in Stainless Steel. Self rimming for fixing into countertops with clips provided. Commercial use in schools, public buildings and anti-vandal areas.

November 2017	
Uniclass PR_40_20	CAWS N13
C/SFB	(74)

ARMITAGE SHANKS

### Countertop fixing

### Stainless Steel

### Complete with waste and overflow

#### Illustrated

**S2628** Berwick 2 47cm stainless steel self rimming countertop bowl, 1¼" combined chain waste & plug overflow, with fixing kit  
**B8262** Piccolo 21 inclined ½" washbasin pillar taps, lever operated, dual Hot and Cold indices, anti-vandal water saving nozzle  
**S8920** Trap 1¼" plastic resealing bottle, 75mm seal

#### Material

Stainless Steel

#### Weight

Stainless Steel Washbasin 2.3kg

#### Finishes

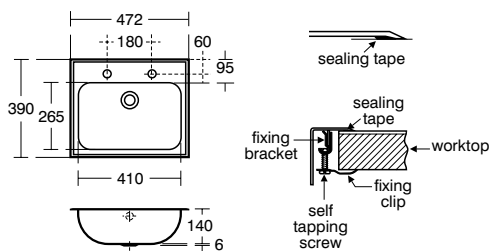
Available in Stainless Steel (MY)

#### Standards

Steel sheet conforms to BS EN 10088:Part2:2005 Material 1.4301 (304) - 0.9mm

#### Special notes

Washbasin mounted on countertop using fixings supplied. Consideration should be given to safe hot water delivery and the use of an appropriate temperature reduction device see A5900 or Part G for guidance.



## Washbasins

# Orbit 21

## 55 countertop

Countertop washbasin in vitreous china for use in worktop or vanity top. Available with 2 tapholes at 20cm centres or with single taphole for monoblock fitting. Also available 1 or 2 taphole without overflow or chainstay hole for hygienic healthcare countertop applications.

November 2017	
Uniclass PR_40_20	CAWS N13
C/SFB	(74)

ARMITAGE SHANKS

### Domestic and commercial use

### 1 or 2 taphole

### No overflow for extra hygiene versions

#### Illustrated

**S2486** Orbit 21 55cm countertop washbasin 1 taphole with overflow  
**B8261** Piccolo 21 single lever 1 hole basin mixer with pop-up waste, 4.7 litres per minute laminar flow regulator, anti-vandal outlet, optional flow straightener, flexible tails  
**S8910** Trap 1¼" plastic bottle, 75mm seal

#### Material

Vitreous China

#### Weight

55cm Washbasin 8.1kg

#### Finishes

Available in White (01)

#### Standards

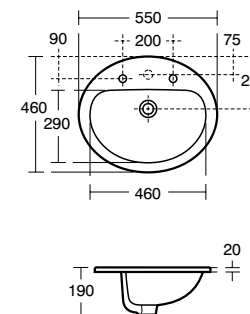
Vitreous china to BS 3402. Washbasin to BS EN 14688 & BS EN 31

#### Options

**S2488** Orbit 21 55cm countertop washbasin 2 tapholes with overflow and chainstay hole  
**S2487** Orbit 21 55cm countertop washbasin 1 taphole no overflow  
**S2490** Orbit 21 55cm countertop washbasin 1 right hand taphole no overflow no chainstay hole  
**S2489** Orbit 21 55cm countertop washbasin 2 tapholes no overflow no chainstay hole  
**S2513** Orbit 21 55cm countertop washbasin 1 taphole with overflow no chainstay hole, no logo

#### Special notes

Self-rimming for drop-in installation as per template supplied, joint sealed with waterproof sealant (not supplied)



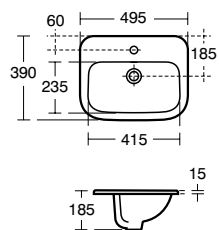


## Washbasins

# Planet 21

## 50 countertop

Countertop washbasin in vitreous china for use in worktop or vanity top. Available with 2 tapholes at 20cm centres or with single taphole for monoblock fitting.



November 2017	
Uniclass PR_40_20	CAWS N13
CJ/SFB (74)	

ARMITAGE SHANKS

Domestic or commercial use  
1 or 2 taphole versions

### Illustrated

- S2484** Planet 21 50cm countertop washbasin 1 taphole with overflow no chainstay hole
- A4852** Sensorflow 21 compact washbasin mounted spout integral sensor servicing valve and filter, copper tube inlets, mains
- S8722** Waste 1¼" brass strainer waste, 80mm slotted tail
- S8910** Trap 1¼" plastic bottle, 75mm seal

### Material

Vitreous China

### Weight

50cm Washbasin 7.6kg

### Finishes

Available in White (01)

### Standards

Vitreous china to BS 3402. Washbasin to BS EN 14688 & BS EN 31

### Options

- S2485** Planet 21 50cm countertop washbasin 2 tapholes with overflow and chainstay hole
- A4851** Sensorflow 21 compact washbasin mounted spout integral sensor servicing valve and filter, copper tube inlets, battery
- A4853** Sensorflow 21 compact washbasin mounted spout integral sensor servicing valve and filter, copper tube inlets, link

### Special notes

Self-rimming for drop-in installation as per template supplied, joint sealed with waterproof sealant (not supplied)



3 : 3 : 4

Tel 0870 122 8822 Fax 0870 122 8282

Email [info@thebluebook.co.uk](mailto:info@thebluebook.co.uk)

Online search, specify & CAD: [www.thebluebook.co.uk](http://www.thebluebook.co.uk)

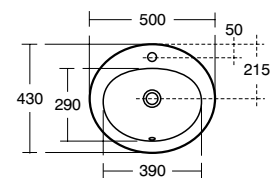
Armitage  
Shanks

## Washbasins

# Sandringham 21

## 50 countertop

Sandringham 21 general purpose countertop washbasin providing a stylish and cost effective solution, with options for 1 or 2 tapholes, with or without chainstay hole.



November 2017	
Uniclass PR_40_20	CAWS N13
CJ/SFB (74)	

ARMITAGE SHANKS

Domestic and commercial use  
Economical  
Single or 2 tapholes  
2 taphole with or without chainstay hole

### Illustrated

- E8952** Sandringham 21 50cm countertop washbasin, 1 taphole with overflow, no chainstay hole
- B9868** Sandringham 21 dual control 1 taphole basin mixer with pop-up waste
- S8910** Trap 1¼" plastic bottle, 75mm seal

### Material

Vitreous China

### Weight

50cm Washbasin 7.0kg

### Finishes

Available in White (01)

### Standards

Vitreous china to BS 3402. Washbasin to BS EN 14688 & BS EN 31

### Options

- E8953** Sandringham 21 50cm countertop washbasin, 2 tapholes with overflow and chainstay hole
- E8954** Sandringham 21 50cm countertop washbasin, 2 tapholes with overflow no chainstay hole

### Special notes

Self-rimming for drop-in installation as per template supplied, joint sealed with waterproof sealant (not supplied)



3 : 3 : 5

Tel 0870 122 8822 Fax 0870 122 8282

Email [info@thebluebook.co.uk](mailto:info@thebluebook.co.uk)

Online search, specify & CAD: [www.thebluebook.co.uk](http://www.thebluebook.co.uk)

Armitage  
Shanks

# Troon 2

## 39 countertop

Countertop washbasin in vandal resistant stainless steel can also be fixed using clips provided as under-countertop washbasin.

November 2017	
Uniclass PR_40_20	CAWS N13
C/S/F/B	(74)

### ARMITAGE SHANKS

Countertop or under-counter

Fixing clips provided

Stainless Steel

#### Illustrated

**S2629** Troon 2 39cm washbasin complete with 1½" waste and fixing clips, no overflow

**B8263** Avon 21 washbasin mixer 1 hole, self closing push button, variable temperature control with 15mm female connector flexible hoses

**S8925** Trap 1½" plastic resealing bottle with 75mm seal, multi-purpose outlet

#### Material

Stainless Steel

#### Weight

Washbasin 2.6kg

#### Finishes

Stainless Steel (MY)

#### Standards

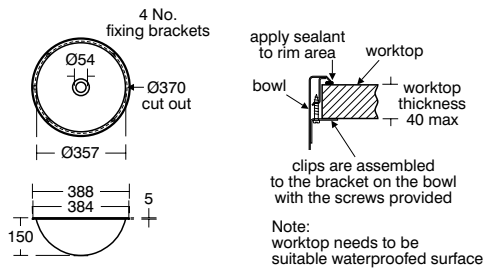
20 gauge stainless steel conforming to BS EN 10088:Part 2:2005

#### Options

**S8915** Trap 1½" plastic bottle with 75mm seal

#### Special notes

Washbasin supplied with earthing tag & mounted on or under countertop using fixings supplied. Consideration should be given to safe hot water delivery and the use of an appropriate temperature reduction device see A5900AA or Part G for guidance



November 2017	
Uniclass PR_40_20	CAWS N13
C/S/F/B	(74)



# Washbasins

## Under-countertop

# Cherwell 21

## 38 - 48 under-countertop

Round under-countertop washbasin with overflow.

November 2017	
Uniclass PR_40_20	CAWS N13
C/SFB	(74)

ARMITAGE SHANKS

Domestic and commercial use  
Modern round design

### Illustrated

**S2687** Cherwell 21 38cm round under-countertop washbasin with overflow  
**A4852** Sensorflow 21 compact washbasin mounted spout integral sensor servicing valve and filter, copper tube inlets, mains  
**S8722** Waste 1¼" brass strainer waste, 80mm slotted tail  
**S8920** Trap 1¼" plastic resealing bottle, 75mm seal

### Material

Fine Fireclay

### Weight

48cm Washbasin 6.2kg  
 38cm Washbasin 4.1kg

### Finishes

Available in White (01)

### Standards

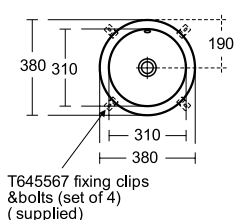
Washbasin to BS EN 14688 & BS EN 31

### Options

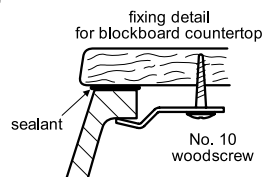
**S2688** Cherwell 21 48cm round under-countertop washbasin with overflow  
**A4851** Sensorflow 21 compact washbasin mounted spout integral sensor servicing valve and filter, copper tube inlets, battery  
**A4853** Sensorflow 21 compact washbasin mounted spout integral sensor servicing valve and filter, copper tube inlets, link

### Special notes

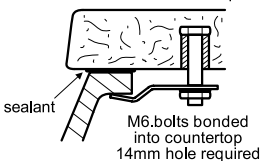
This washbasin is not suitable for separate pillar taps. Washbasin mounted on underside of countertop using fixing clips supplied. Joint sealed using waterproof sealant (not supplied). Consideration should be given to safe hot water delivery and the use of an appropriate temperature reduction device see A5900 or Part G for guidance.



Using T645567 fixing clips



fixing detail for marble countertop



# Contour 21

## 42 under-countertop

Rectangular under-countertop washbasin with overflow. Part of the extensive commercial Contour 21 range.

November 2017	
Uniclass PR_40_20	CAWS N13
C/SFB	(74)

ARMITAGE SHANKS

Domestic and commercial use  
Part of an extensive suite

### Illustrated

**S2689** Contour 21 42cm rectangular under-countertop washbasin with overflow  
**A4852** Sensorflow 21 compact washbasin mounted spout integral sensor servicing valve and filter, copper tube inlets, mains  
**S8722** Waste 1¼" brass strainer waste, 80mm slotted tail  
**S8920** Trap 1¼" plastic resealing bottle, 75mm seal

### Material

Fine Fireclay

### Weight

42cm Washbasin 5.1kg

### Finishes

Available in White (01)

### Standards

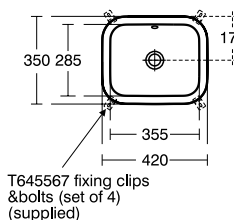
Washbasin to BS EN 14688 & BS EN 31

### Options

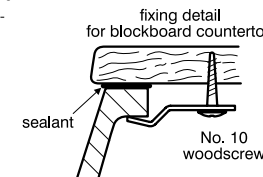
**A4851** Sensorflow 21 compact washbasin mounted spout integral sensor servicing valve and filter, copper tube inlets, battery  
**A4853** Sensorflow 21 compact washbasin mounted spout integral sensor servicing valve and filter, copper tube inlets, link

### Special notes

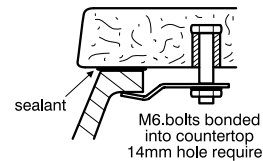
This washbasin is not suitable for separate pillar taps. Washbasin mounted on underside of countertop using fixing clips supplied. Joint sealed using waterproof sealant (not supplied). Consideration should be given to safe hot water delivery and the use of an appropriate temperature reduction device see A5900 or Part G for guidance.



Using T645567 fixing clips



fixing detail for marble countertop



# Contour 21

## 50 under-countertop

50cm under-countertop washbasin with overflow and unglazed rim.  
Part of the extensive commercial Contour 21 range.

November 2017	
Uniclass PR_40_20	CAWS N13
C/SFB	(74)

ARMITAGE SHANKS

Domestic and commercial use  
Part of an extensive suite

### Illustrated

**S2496** Contour 21 50cm under-countertop washbasin with overflow, unglazed rim  
**A4852** Sensorflow 21 compact washbasin mounted spout integral sensor servicing valve and filter, copper tube inlets, mains  
**S8722** Waste 1¼" brass strainer waste, 80mm slotted tail  
**S8920** Trap 1¼" plastic resealing bottle, 75mm seal

### Material

Fine Fireclay

### Weight

50cm Washbasin 8.6kg

### Finishes

Available in White (01)

### Standards

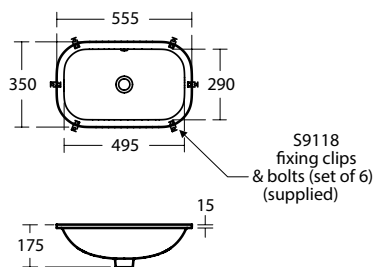
Washbasin to BS EN 14688 & BS EN 31

### Options

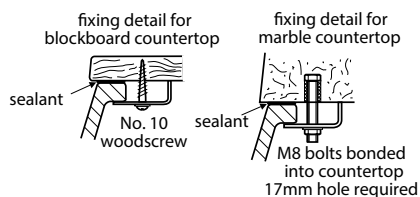
**A4851** Sensorflow 21 compact washbasin mounted spout integral sensor servicing valve and filter, copper tube inlets, battery  
**A4853** Sensorflow 21 compact washbasin mounted spout integral sensor servicing valve and filter, copper tube inlets, link

### Special notes

This washbasin is not suitable for separate pillar taps. Washbasin mounted on underside of countertop using fixing clips supplied. Joint sealed using waterproof sealant (not supplied). Consideration should be given to safe hot water delivery and the use of an appropriate temperature reduction device see A5900 or Part G for guidance.



Using S9118 fixing clips



# Contour 21 Rectangular

## 55 under-countertop

Rectangular under-counter washbasin with overflow and soap dispenser options.

November 2017	
Uniclass PR_40_20	CAWS N13
C/SFB	(74)

ARMITAGE SHANKS

Domestic and commercial use  
Part of an extensive suite  
Tap deck for 1 taphole mixer  
Handed soap dispenser hole options

### Illustrated

**S2695** Contour 21 55cm rectangular under-countertop washbasin with tap deck, 1 taphole & overflow  
**A4852** Sensorflow 21 compact washbasin mounted spout integral sensor servicing valve and filter, copper tube inlets, mains  
**S8722** Waste 1¼" brass strainer waste, 80mm slotted tail  
**S8920** Trap 1¼" plastic resealing bottle, 75mm seal

### Material

Fine Fireclay

### Weight

55cm Washbasin 8.5kg

### Finishes

Available in White (01)

### Standards

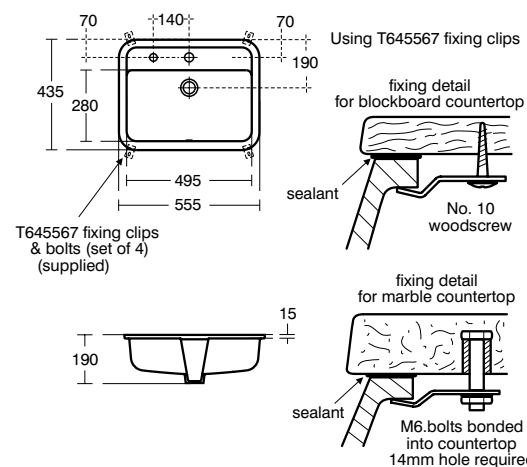
Washbasin to BS EN 14688 & BS EN 31

### Options

**S2696** Contour 21 55cm rectangular under-countertop washbasin with tap deck, 1 taphole with overflow and left hand soap dispenser  
**S2697** Contour 21 55cm rectangular under-countertop washbasin one taphole with overflow and right hand soap dispenser  
**A4851** Sensorflow 21 compact washbasin mounted spout integral sensor servicing valve and filter, copper tube inlets, battery  
**A4853** Sensorflow 21 compact washbasin mounted spout integral sensor servicing valve and filter, copper tube inlets, link

### Special notes

Washbasin mounted on underside of countertop using fixing clips supplied. Joint sealed using waterproof sealant (not supplied). Consideration should be given to safe hot water delivery and the use of an appropriate temperature reduction device see A5900 or Part G for guidance.



# Marlow 21

## 55 - 48 under-countertop

Oval under-countertop washbasin with overflow.

November 2017	
Uniclass PR_40_20	CAWS N13
C/S/FB	(74)

### ARMITAGE SHANKS

Domestic and commercial use

Modern oval design

#### Illustrated

**S2684** Marlow 21 48cm under-countertop washbasin with overflow

**A4852** Sensorflow 21 compact washbasin mounted spout integral sensor servicing valve and filter, copper tube inlets, mains

**S8722** Waste 1/4" brass strainer waste, 80mm slotted tail

**S8920** Trap 1/4" plastic resealing bottle, 75mm seal

#### Material

Fine Fireclay

#### Weight

55cm Washbasin 6.7kg

48cm Washbasin 5.9kg

#### Finishes

Available in White (01)

#### Standards

Washbasin to BS EN 14688 & BS EN 31

#### Options

**S2685** Marlow 21 55cm under-countertop washbasin with overflow

**S2692** Marlow 21 48cm under-countertop washbasin with overflow, glazed underside

**A4851** Sensorflow 21 compact washbasin mounted spout integral sensor servicing valve and filter, copper tube inlets, battery

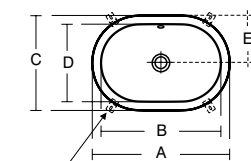
**A4853** Sensorflow 21 compact washbasin mounted spout integral sensor servicing valve and filter, copper tube inlets, link

#### Special notes

This washbasin is not suitable for separate pillar taps. Washbasin mounted on underside of countertop using fixing clips supplied. Joint sealed using waterproof sealant (not supplied). Consideration should be given to safe hot water delivery and the use of an appropriate temperature reduction device see A5900 or Part G for guidance.



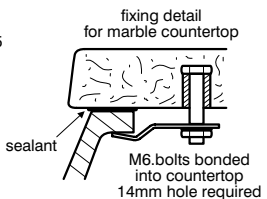
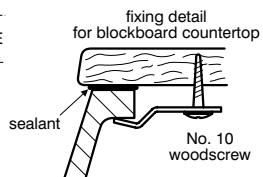
Using T645567 fixing clips



T645567 fixing clips & bolts (set of 4) (supplied)



	A	B	C	D	E
48cm	480	415	360	285	175
55cm	550	480	380	310	190



November 2017	
Uniclass PR_40_20	CAWS N13
C/S/FB	(74)

# Washbasins

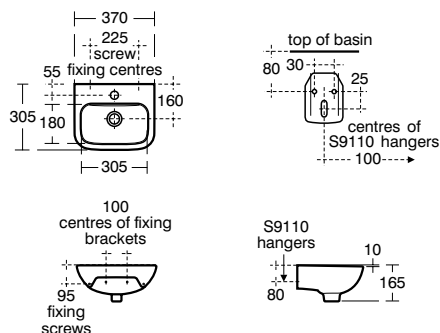
## Handrinse

## Washbasins

# Contour 21

## 37 handrinse

Short projection wall mounted handrinse washbasin. Suitable for public areas and special care applications.



November 2017	
Uniclass PR_40_20	CAWS N13
C/SFB	(74)

ARMITAGE SHANKS

Commercial and healthcare use

Short projection

Appropriate for Doc M

3 different taphole options

Compact 37cm

### Illustrated

**S2122** Contour 21 37cm handrinse washbasin, 1 taphole, no overflow, no chainstay hole

**A6697** Contour 21+ 1 hole thermostatic basin mixer, single sequential lever with copper tails

**S8720** Waste 1¼" brass strainer waste, 80mm unslotted tail

**S8900** Trap 1¼" metal bottle, 75mm seal, outlet screwed 1¼" BSP male with compression nut and ring

**S9110** Hangers concealed, Steel

### Material

Vitreous China

### Weight

37cm Washbasin 8.2kg

### Finishes

Available in White (01)

### Standards

Vitreous china to BS 3402. Washbasin to BS EN 14688 & BS EN 31

### Options

**S2473** Contour 21 37cm handrinse washbasin left hand taphole no overflow or chainstay hole, bottom outlet

**S2474** Contour 21 37cm handrinse washbasin right hand taphole no overflow or chainstay hole, bottom outlet

### Special notes

Recommended fixing heights (floor to front rim); Nursery use 600mm Infant use 700mm Junior use 750mm Senior/adult use 780-800mm. Washbasin wall mounted using S9110 wall hangers and screwed to the wall using 2 screws (not supplied)



3 : 5 : 2

Tel 0870 122 8822 Fax 0870 122 8282

Email [info@thebluebook.co.uk](mailto:info@thebluebook.co.uk)

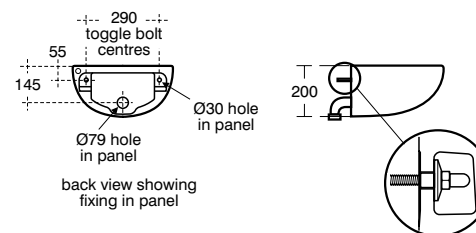
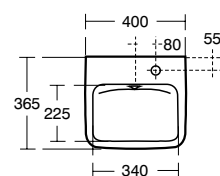
Online search, specify & CAD: [www.thebluebook.co.uk](http://www.thebluebook.co.uk)

## Washbasins

# Contour 21+

## 40 back outlet handrinse

Contour 21+ washbasins are specially designed for use with ducted services and have the advantage of a new back outlet compact waste system with an anti-microbial treatment. The basins incorporate a hydrophilic glaze with anti-microbial qualities and a new easy fixation system.



November 2017	
Uniclass PR_40_20	CAWS N13
C/SFB	(74)

ARMITAGE SHANKS

Commercial, hospital and healthcare use

50cm option available

Designed for ducted panel services

Concealed back outlet

Hydrophilic glaze with anti-microbial properties

New easy fixation

Left, right and no taphole options

Space saving

### Illustrated

**S0435** Contour 21+ 40cm back outlet washbasin, one right hand taphole, no overflow with anti-microbial glaze

**A6696** Markwik 21+ 1 hole thermostatic basin mixer, single sequential lever, demountable with copper tails

**A6791** Markwik 21+ basin mixer fixing kit for use with Contour 21+ closed basin

**S0388** Contour 21+ basin fixation set

**S0387** Contour 21+ waste pack with SmartGuard for tap deck basin

### Material

Vitreous China

### Weight

40cm Washbasin 12.5kg  
Basin Mixer 2.5kg

### Finishes

White with SmartGuard (HY)

### Standards

Vitreous china to BS 3402.  
Washbasin to BS EN 14688 and BS EN 31

### Options

**S0433** Contour 21+ 40cm back outlet washbasin, one left hand taphole, no overflow with anti-microbial glaze

**S0679** Contour 21+ 40cm back outlet washbasin, no tapholes, no overflow, with anti-microbial glaze.

### Special notes

Suggested rim heights; 780-800 for ambulant users, 680-700 for wheelchair users. Washbasin panel mounted using the S0388 Contour 21+ wall fixation set.



3 : 5 : 3

Tel 0870 122 8822 Fax 0870 122 8282

Email [info@thebluebook.co.uk](mailto:info@thebluebook.co.uk)

Online search, specify & CAD: [www.thebluebook.co.uk](http://www.thebluebook.co.uk)

# Contour 21 Splash

## 40 schools handrinse

Specially designed basins for schools combine fun shapes with practical ergonomic designs for easy cleaning.

November 2017	
Uniclass PR_40_20	CAWS N13
C/S/F/B	(74)

ARMITAGE SHANKS

Key stages 1 & 2

Fun shaped design

1 or 2 tap hole options

Pedestal option

### Illustrated

**S2635** Contour 21 Splash 40cm Schools basin with overflow - one taphole

**B8263** Avon 21 washbasin mixer 1 hole, self closing push button, variable temperature control with 15mm female connector flexible hoses on inlets

**S8722** Waste 1¼" brass strainer waste, 80mm slotted tail

**S8920** Trap 1¼" plastic resealing bottle, 75mm seal, multi-purpose outlet

**E0157** Wall fixing set

### Material

Vitreous China

### Weight

40cm Washbasin 7.7kg

### Finishes

Available in White (01)

### Standards

Vitreous china to BS 3402

### Options

**S2636** Contour 21 Splash 40cm Schools basin with overflow - two tapholes

**B8262** Piccolo 21 inclined ½" washbasin pillar taps, lever operated, dual hot and cold indices, anti-vandal water saving nozzle

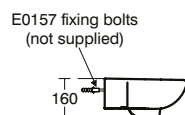
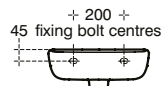
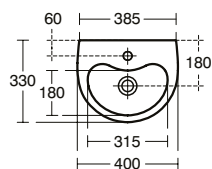
**S8900** Trap 1¼" metal bottle, 75mm seal, outlet screwed 1¼" BSP male with compression nut and ring

**S8733** Waste 1¼" brass anti theft swivel plug waste, 80mm slotted tail

**S8800** Waste 1¼" plastic waste with bead chain and plug, 80mm slotted tail, bolt stay

### Special notes

Recommended fixing heights (floor to front rim); Nursery use 600mm Infant use 700mm Junior use 750mm Senior/adult use 780-800mm. Washbasin wall mounted using E015767 wall fixing set or panel mounted using E006267 fixing set



# Sandringham 21

## 35 handrinse

Sandringham 21 handrinse washbasins in vitreous china, 45cm and corner handrinse washbasins also available.

November 2017	
Uniclass PR_40_20	CAWS N13
C/S/F/B	(74)

ARMITAGE SHANKS

Domestic and commercial use

Space saving design

Left or right hand

taphole options

Hygienic no overflow version

### Illustrated

**E8930** Sandringham 21 35cm handrinse washbasin, 2 taphole, with overflow and chainstay hole

**B9865** Sandringham 21 basin pillar taps

**S8800** Waste 1¼" plastic waste with bead chain and plug, 80mm slotted tail, bolt stay

**S8900** Trap 1¼" metal bottle, 75mm seal, outlet screwed 1¼" BSP male with compression nut and ring

**E5010** Pair Steel wall hangers

### Material

Vitreous China

### Weight

35cm Washbasin 6.0kg

### Finishes

Available in White (01)

### Standards

Vitreous china to BS 3402. Washbasin to BS EN 14688 & BS EN 31

### Options

**E8928** Sandringham 21 35cm handrinse washbasin, right hand taphole, with overflow no chainstay hole

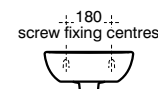
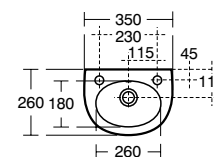
**E8929** Sandringham 21 35cm handrinse washbasin, left hand taphole, with overflow no chainstay hole

**S8150** Sandringham 21 35cm handrinse washbasin, 2 taphole, no overflow no chainstay hole

**E0157** Wall fixing set

### Special notes

Washbasin wall mounted using E5010 wall hangers and screwed to wall using 3 screws (not supplied) or E0157 wall fixing set and screwed to wall using 2 screws (not supplied)



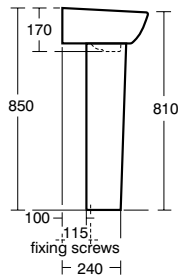
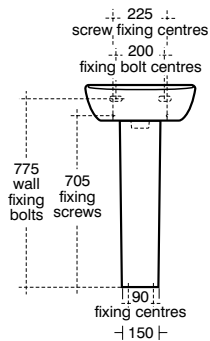
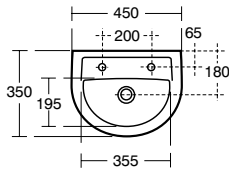


## Washbasins

# Sandringham 21

## 45 handrinse

Sandringham 21 handrinse washbasins in vitreous china, 35cm and corner handrinse washbasins also available.



Domestic and commercial use  
Space saving design  
Wall fixing or pedestal

### Illustrated

**E8936** Sandringham 21 45cm handrinse washbasin, 2 tapholes, with overflow and chainstay hole

**E8976** Sandringham 21 pedestal

**B9865** Sandringham 21 Washbasin Pillar Taps

**S8800** Waste 1¼" plastic waste with bead chain and plug, 80mm slotted tail, bolt stay

**S8950** Trap 1¼" plastic P for use with handrinse pedestal

### Material

Vitreous China

### Weight

45cm Washbasin 10.0kg

Pedestal 10.3kg

### Finishes

Available in White (01)

### Standards

Vitreous china to BS 3402. Washbasin to BS EN 14688 & BS EN 31

### Options

**E8935** Sandringham 21 45cm handrinse washbasin, 1 taphole, with overflow no chainstay hole

**E0157** Wall fixing set

### Special notes

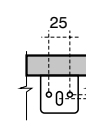
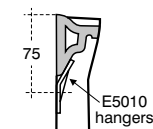
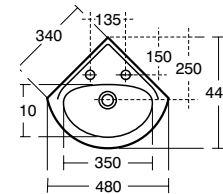
Washbasin wall mounted using E0157 wall fixing set or full pedestal mounted using 2 screws through the back of the basin (not supplied)

## Washbasins

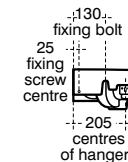
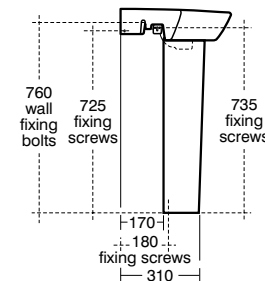
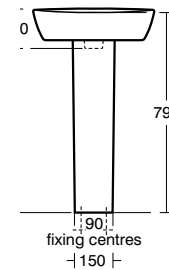
# Sandringham 21

## 48 corner handrinse

Sandringham 21 handrinse washbasins in vitreous china, available in 2 sizes and corner version.



Part section through basin on E5010 hangers



Domestic and commercial use  
Corner Design  
Wall fixing or pedestal  
Space saving design

### Illustrated

**E8942** Sandringham 21 48cm corner handrinse basin, 2 tapholes with overflow and chainstay hole

**E8976** Sandringham 21 pedestal

**B9865** Sandringham 21 washbasin pillar taps

**S8800** Waste 1¼" plastic waste with bead chain and plug, 80mm slotted tail, bolt stay

**S8950** Trap 1¼" plastic P for use with handrinse pedestal

### Material

Vitreous China

### Weight

48cm Washbasin 9.0kg

Sandringham 21 Pedestal 10.3kg

### Finishes

Available in White (01)

### Standards

Vitreous china to BS 3402. Washbasin to BS EN 14688 & BS EN 31

### Options

**E8941** Sandringham 21 48cm corner washbasin, 1 taphole with overflow

**E5010** Pair Steel wall hangers

**E0157** Wall fixing set

### Special notes

Washbasin wall mounted using E5010 wall hangers and screwed to wall using screw (not supplied) or E0157 wall fixing set or full pedestal mounted using screw through back of basin (not supplied)

November 2017	
Uniclass PR_40_20	CAWS N13
CI/SFB	(74)

November 2017	
Uniclass PR_40_20	CAWS N13
CI/SFB	(74)

# Washbasins

## Fittings

# Bottle Traps

Standard and resealing bottle traps for washbasins.

November 2017	
Uniclass PR_40_20	CAWS N13
C/S/F/B	(74)

IDEAL STANDARD

Domestic or commercial use

Chrome plated

Bottle traps

### Illustrated

**E0079** Trap 1¼" Contemporary metal bottle  
**S8900** Trap 1¼" metal bottle, 75mm seal, outlet  
 screwed 1¼" BSP male with compression nut  
 and ring

### Material

Chrome Plated Metal

### Weight

1.45kg

### Finishes

Available in Chrome

### Options

**S8910** Trap 1¼" plastic bottle, 75mm seal  
**S8920** Trap 1¼" plastic resealing bottle,  
 75mm seal  
**E3198** Trap 1¼" metal bottle, 75mm seal



ARMITAGE SHANKS

Domestic and commercial use

Water saving

Flow limiters

### Illustrated

**S8011** Flow regulator, washbasin inlet, 6 litres per  
 minute, pair

### Material

Plastic

### Weight

0.10kg

### Finishes

Unfinished

### Options

**L6935** Flow regulator, washbasin inlet, 4 litres per  
 minute, pair

### Special notes

6 litres per minute @ 3 bar pressure



# Strainer Wastes

Slotted and unslotted strainer wastes for washbasins.

November 2017	
Uniclass PR_40_20	CAWS N13
C/S/F/B	(74)

ARMITAGE SHANKS

Wastes for washbasins

Chrome plated

### Illustrated

**S8720** Waste 1¼" brass strainer waste, 80mm  
 unslotted tail

### Material

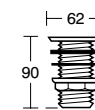
Chrome Plated Metal

### Weight

0.23kg

### Options

**S8722** Waste 1¼" brass strainer waste, 80mm  
 slotted tail  
**S8811** Waste 1¼" plastic strainer, 50mm  
 unslotted tail  
**S8810** Waste 1¼" plastic strainer, dished pattern  
 80mm unslotted tail  
**S8730** Waste 1¼" brass strainer waste with lift  
 out grid



ARMITAGE SHANKS

Wastes for washbasins

Chrome plated

### Illustrated

**E6760** Waste 1¼" brass waste with chain and  
 plug, 80mm slotted tail, bolt stay

### Material

Chrome Plated Metal

### Weight

0.28kg

### Finishes

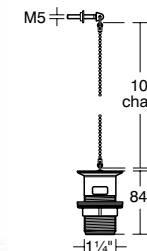
Chrome (AA)

### Options

**S8715** Waste 1¼" waste with bead chain & plug  
 80mm unslotted tail, screw stay  
**S8734** Waste 1¼" brass swivel plug waste,  
 80mm unslotted tail  
**S8800** Waste 1¼" plastic waste with bead chain  
 and plug, 80mm slotted tail, bolt stay

# Chain Wastes

Slotted and unslotted chain wastes for washbasins.



# Basin Flow Regulators

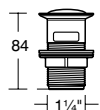
Water saving flow limiters.



## Washbasins

# Swivel Wastes

Slotted and unslotted swivel wastes for washbasins.



November 2017	
Uniclass PR_40_20	CAWS N13
C/S/F/B	(74)

ARMITAGE SHANKS

### Wastes for washbasins

#### Chrome plated

##### Illustrated

**S8733** Waste 1 1/4" brass anti theft swivel plug waste, 80mm slotted tail

##### Material

Chrome Plated Metal

##### Weight

0.35kg

##### Finishes

Chrome (AA)

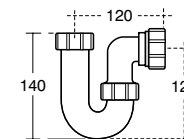
##### Options

**S8734** Waste 1 1/4" brass swivel plug waste, 80mm unslotted tail

## Washbasins

# P Trap

1 1/4" plastic P trap for use with cloakroom pedestal



November 2017	
Uniclass PR_40_20	CAWS N13
C/S/F/B	(74)

ARMITAGE SHANKS

### Traps for cloakroom washbasins

#### Plastic P Trap

##### Illustrated

**S8950** Trap 1 1/4" plastic P for use with cloakroom pedestal

##### Material

Plastic

##### Weight

1.00kg

##### Finishes

Neutral / No Finish

##### Special notes

It is recommended this trap is used when fitting a cloakroom pedestal to ensure adequate access

# Click Wastes

Slotted and unslotted click wastes for washbasins.



IDEAL STANDARD

### Wastes for washbasins

#### Chrome plated

##### Illustrated

**S8803** Waste 1 1/4" Click plug waste, 80mm slotted tail

##### Material

Chrome Plated Metal

##### Weight

0.45kg

##### Finishes

Chrome (AA)

##### Options

**S8808** Waste 1 1/4" Click waste for washbasin unslotted with plug

# Brackets and Supports

For supporting wall mounted washbasins.



ARMITAGE SHANKS

### Concealed hangers

#### Adjustable centre bracket

##### Illustrated

**S9110** Hangers concealed, Steel

##### Material

Steel

##### Weight

0.24kg

##### Finishes

Neutral / No Finish

##### Special notes

A pop up waste cannot be fitted when using S9145 centre bracket



Uniclass PR_40_20	CAWS N13
CI/SFB	(74)

# Wash Troughs

Solid Surface 4:1:1

Stainless Steel 4:2:1



## Icon key

-  Residential
-  Public Places
-  Water Savings
-  Hospitals & Healthcare
-  Disabled Access
-  Doc M Compliant
-  Education
-  Spacesaving
-  Hotels
-  Anti-vandal

Wash Troughs

November 2017	
Uniclass PR_40_20	CAWS N13
CI/SFB	(74)

November 2017	
Uniclass PR_40_20	CAWS N13
CI/SFB	(74)

# Wash Troughs

## Solid Surface

Wash Troughs  
Solid Surface



## Wash Troughs

# Broadway

120 - 180 - 240

Broadway washing troughs suitable for commercial use in service stations, offices and education or wherever multiple washing facilities are required. Supplied without tap holes but with drilling points shown on the underside.

November 2017	
Uniclass PR_40_20	CAWS N13
C/S/F/B	(74)

ARMITAGE SHANKS

Commercial, schools and anti vandal use

2, 3 or 4 position troughs

Vanity unit mounting

### Illustrated

**S2099** Broadway washing trough 180cm long, undrilled for panel mounted taps or may be drilled at the pre-marked drilling points, complete with Chrome plated wastes

**A4849** Sensorflow 21 compact tubular panel mounted 230mm projection spout, anti splash or anti vandal laminar flow outlet, integral sensor, copper tube inlets, mains

**S8925** Trap 1¼" plastic resealing bottle with 75mm seal, multi-purpose outlet

### Material

Solid surface

### Weight

180cm Trough 37.0kg

120cm Trough 25.0kg

240cm Trough 50.0kg

### Finishes

Available in White (01)

### Options

**S2098** Broadway washing trough 120cm long, undrilled for panel mounted taps or may be drilled at the pre-marked drilling points, complete with Chrome plated wastes

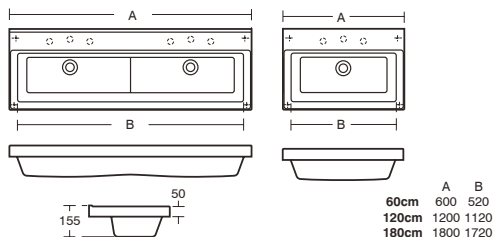
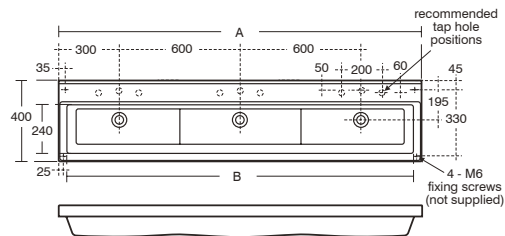
**S2105** Broadway washing trough 240cm long, undrilled for panel mounted taps or may be drilled at the pre-marked drilling points, complete with Chrome plated wastes

**A4850** Sensorflow 21 compact tubular panel mounted 230mm projection spout, anti splash or anti vandal laminar flow outlet, integral sensor, copper tube inlets, link

**A4848** Sensorflow 21 compact tubular panel mounted 230mm projection spout, anti splash or anti vandal laminar flow outlet, integral sensor, copper tube inlets, battery

### Special notes

Washing trough fits to framing or cabinet using M6 screws (not supplied)



## Wash Troughs

# Silhouette

120 - 180 - 240 - 300

A range of Solid Surface wash troughs designed for offices, education and large washrooms. Ideal for wherever multiple washing facilities are required. The range comes in pre specified lengths or it is possible to specify your required length to ensure you achieve a fully fitted streamline look.

November 2017	
Uniclass PR_40_20	CAWS N13
C/S/F/B	(74)

ARMITAGE SHANKS

Commercial, offices and school washrooms

4 sizes 120/180/240/300cm

Durable and repairable

Fire retardant

2, 3, 4 or 5 person troughs

Wall or vanity mounting

Hygienic non porous

### Illustrated

**S0627** Silhouette 2400mm 4 person wash trough with waste

**A4852** Sensorflow 21 compact washbasin mounted spout integral sensor servicing valve and filter, copper tube inlets, mains

**A9210** Contour 21 angled deck mounted soap dispenser, requires separate soap bottle

**A9243** Flange for Sensorflow 21 fittings A4851 / A4852 / A4853 to match angled soap dispenser

**A9241** Contour 21 soap bottle remote 4 feed for use with all Contour 21 soap dispensers

### Material

Solid Surface

### Weight

1200mm wash trough - 35.0kg

1800mm wash trough - 50.0kg

2400mm wash trough - 65.0kg

3000mm wash trough - 80.0kg

### Finishes

Available in White (01)

### Standards

EN 695 BS EN 14296

### Options

**A4853** Sensorflow 21 compact washbasin mounted spout integral sensor servicing valve and filter, copper tube inlets, link

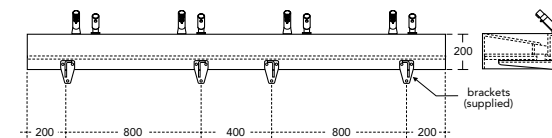
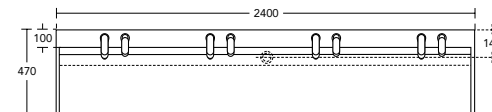
**S0625** Silhouette 1200mm 2 person wash trough with waste

**S0626** Silhouette 1800mm 3 person wash trough with waste

**S0628** Silhouette 3000mm 5 person wash trough with waste

### Special notes

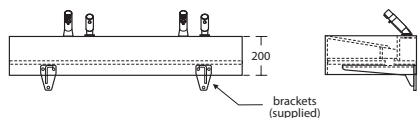
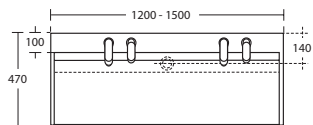
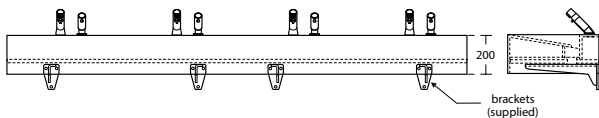
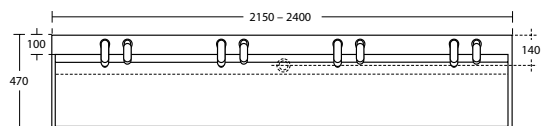
1 Mains spout A4852, 3 link spouts (A4853), 4 soap dispensers A9210 and flanges A9243 to be configured. Clean using a damp cloth or sponge. Wipe dry with a soft cloth to prevent spotting.



# Silhouette

120 - 300 bespoke sizes

A range of Solid Surface wash troughs designed for offices, education and large washrooms. Ideal for wherever multiple washing facilities are required. These can be manufactured to your size requirements.



November 2017	
Uniclass PR_40_20	CAWS N13
C/S/FB	(74)

## ARMITAGE SHANKS

Commercial, offices and school washrooms

Durable and repairable

Wall or vanity mounting

Fire retardant

Bespoke size between 120 to 300cm

2, 3, 4 or 5 person troughs

Hygienic non porous

### Illustrated

**S0632** Silhouette 2101-2400mm configurable wash trough with waste

**B8263** Avon 21 washbasin mixer 1 hole, self closing push button, variable temperature control with 15mm female connector flexible hoses on inlets

**A9208** Contour 21 upright deck mounted soap dispenser, requires separate soap bottle

**A9241** Contour 21 soap bottle remote 4 feed for use with all Contour 21 soap dispensers

### Material

Solid Surface

### Finishes

Available in White (01)

### Standards

EN 695 BS EN 14296

### Options

**S0629** Silhouette 1200-1500mm configurable wash trough with waste

November 2017	
Uniclass PR_40_20	CAWS N13
C/S/FB	(74)

### Options continued

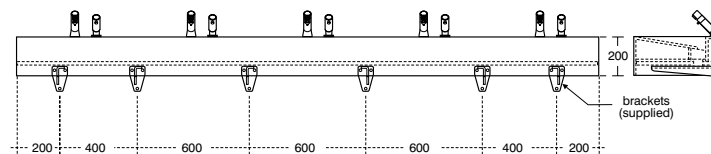
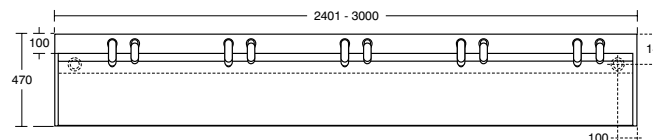
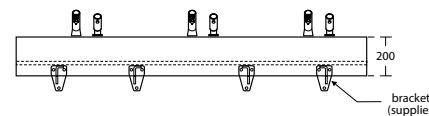
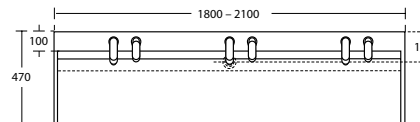
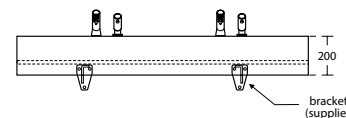
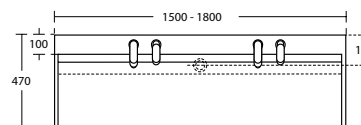
**S0630** Silhouette 1501-1800mm configurable wash trough with waste

**S0631** Silhouette 1801-2100mm configurable wash trough with waste

**S0660** Silhouette 2401-3000mm configurable wash trough with waste

### Special notes

4 soap dispensers A9208 to be configured. Clean using a damp cloth or sponge. Wipe dry with a soft cloth to prevent spotting.



# Silhouette

120 - 180 - 240 - 300 with upstand

A range of Solid Surface wash troughs designed for offices, education and large washrooms. Ideal for wherever multiple washing facilities are required. The range comes in pre specified lengths or it is possible to specify your required length to ensure you achieve a fully fitted streamline look.



November 2017	
Uniclass PR_40_20	CAWS N13
C/SFB	(74)

## ARMITAGE SHANKS

Commercial, offices and school washrooms

Durable and repairable

Wall or vanity mounting

Fire retardant

Sizes in 120/180/240/300cm

2, 3, 4 or 5 person troughs

Hygienic non porous

### Illustrated

- S0635** Silhouette 2400mm 4 person wash trough with upstand & waste
- A4846** Sensorflow 21 compact tubular panel mounted 150mm projection spout, mains
- A9209** Contour 21 panel mounted soap dispenser, requires separate soap bottle
- A9241** Contour 21 soap bottle remote 4 feed for use with all Contour 21 soap dispensers

### Material

Solid Surface

### Weight

- 1200mm wash trough - 41.0kg
- 1800mm wash trough - 58.5kg
- 2400mm wash trough - 78.5kg
- 3000mm wash trough - 93.0kg

### Finishes

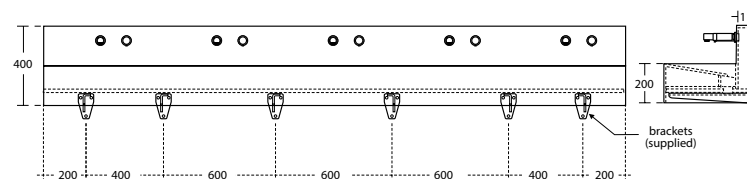
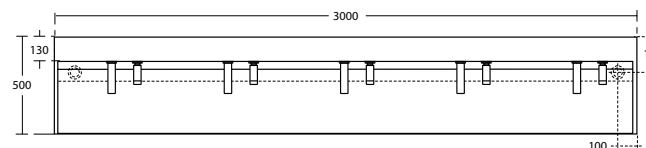
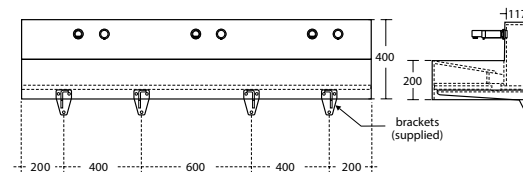
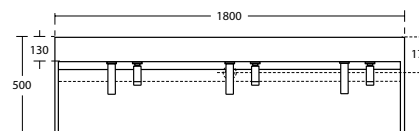
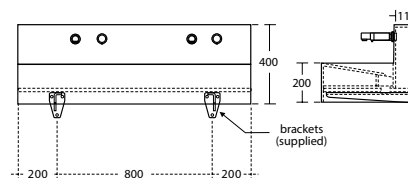
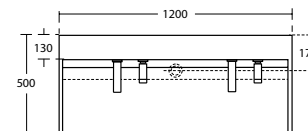
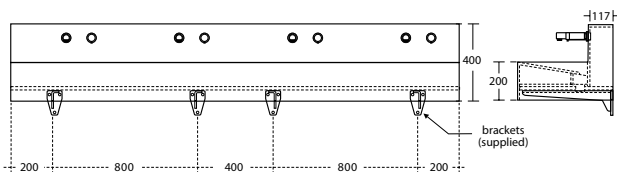
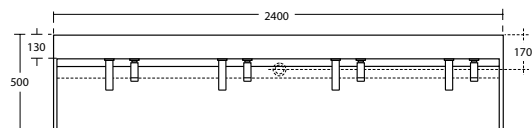
Available in White (01)

### Standards

EN 695 BS EN 14296

### Options

- A4847** Sensorflow 21 compact tubular panel mounted 150mm projection spout, anti splash or anti vandal laminar flow outlet, integral sensor, copper tube inlets, link



November 2017	
Uniclass PR_40_20	CAWS N13
C/SFB	(74)

### Options continued

- S0633** Silhouette 1200mm 2 person wash trough with upstand & waste
- S0634** Silhouette 1800mm 3 person wash trough with upstand & waste
- S0636** Silhouette 3000mm 5 person wash trough with upstand & waste

### Special notes

1 Mains spout A4846, 3 link spout A4847 and 4 soap dispensers A9209 to be configured as illustrated. Clean using a damp cloth or sponge. Wipe dry with a soft cloth to prevent spotting.



# Silhouette

1200 - 3000 bespoke sizes with upstand

A range of Solid Surface wash troughs designed for offices, education and large washrooms. Ideal for wherever multiple washing facilities are required. These can be manufactured to your size requirements.



November 2017	
Uniclass PR 40_20	CAWS N13
C/S/FB	(74)

## ARMITAGE SHANKS

Commercial, offices and school washrooms

Wall or vanity mounting

2, 3, 4 or 5 person troughs

Fire retardant

Durable and repairable

Bespoke size between 120 and 300cm

Hygienic non porous

### Illustrated

**S0640** Silhouette 2101-2400mm configurable wash trough with upstand & waste

**A4849** Sensorflow 21 compact tubular panel mounted 230mm projection spout, anti splash or anti vandal laminar flow outlet, integral sensor, copper tube inlets, mains

**A9209** Contour 21 panel mounted soap dispenser, requires separate soap bottle

**A9241** Contour 21 soap bottle remote 4 feed for use with all Contour 21 soap dispensers

### Material

Solid surface

### Finishes

Available in White (01)

### Standards

EN 695 BS EN 14296

### Options

**S0637** Silhouette 1200-1500mm configurable wash trough with waste

November 2017	
Uniclass PR 40_20	CAWS N13
C/S/FB	(74)

### Options continued

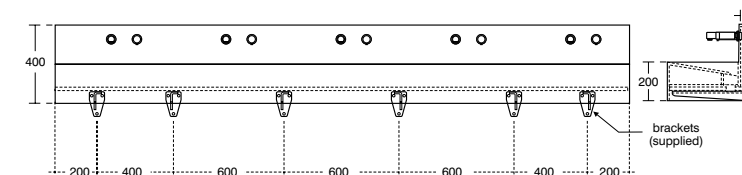
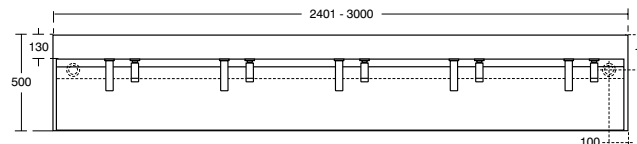
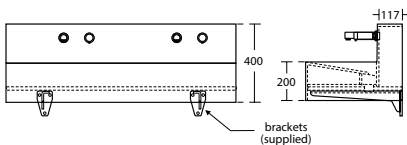
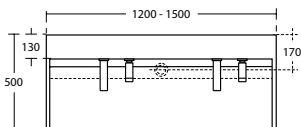
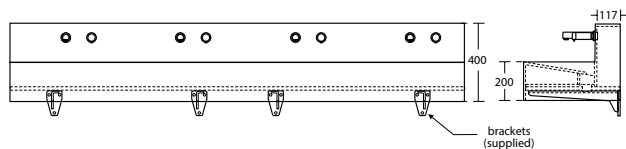
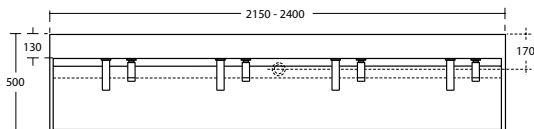
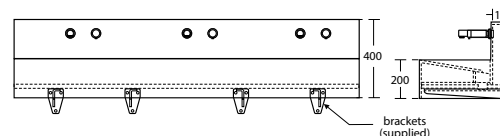
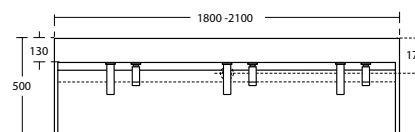
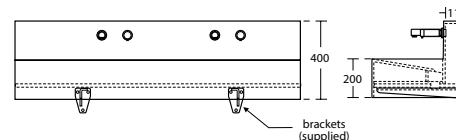
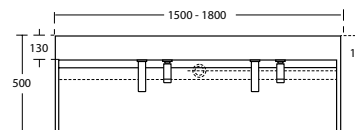
**S0638** Silhouette 1501-1800mm configurable wash trough with upstand & waste

**S0639** Silhouette 1801-2100mm configurable wash trough with upstand & waste

**S0661** Silhouette 2401-3000mm configurable wash trough with upstand & waste

### Special notes

1 Mains spout A4849, 3 link spout A4850, 4 soap dispensers A9209 and 4 brackets S0663 to be configured as illustrated. Clean using a damp cloth or sponge. Wipe dry with a soft cloth to prevent spotting.



November 2017	
Uniclass PR_40_20	CAWS N13
C/SFB	(74)

November 2017	
Uniclass PR_40_20	CAWS N13
C/SFB	(74)

Solid Surface

Wash Troughs

# Wash Troughs

## Stainless Steel

Stainless Steel

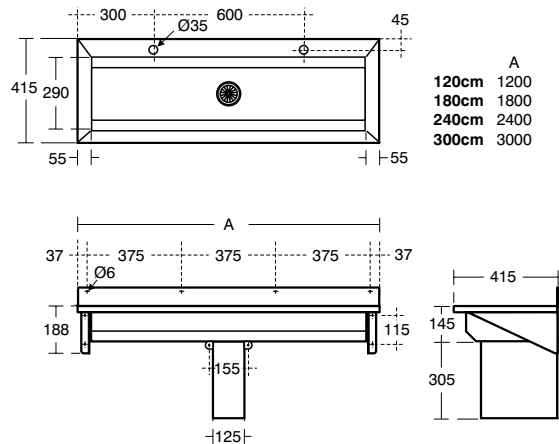
Wash Troughs

## Wash Troughs

# Calder

120 - 180 - 240

New central outlet commercial washing trough in stainless steel available with upstand. Two washing position 120cm with or without taphole positions, for bib taps. Three position 180cm long and four position 240cm long each with pre-cut mixer taphole positions. Additional wall tap mounting panel details available on request.



	A
120cm	1200
180cm	1800
240cm	2400
300cm	3000

November 2017	
Uniclass PR_40_20	CAWS N13
C/SFB	(74)

ARMITAGE SHANKS

Screw to wall  
Four standard lengths  
Stainless steel  
2 position without tapholes

### Illustrated

- S2824** Calder stainless steel washing trough 120cm long 2 taphole positions, central outlet with 2" domed waste
- B8861** Avon 21 washbasin mixer 1 hole, self closing push button, variable temperature with copper tube inlets
- A5900** TMV Thermostatic mixing valve 15mm

### Material

Stainless Steel

### Weight

- 240cm washing trough 20.0kg
- 180cm washing trough 15.0kg
- 120cm washing trough 10.0kg

### Finishes

Available in Stainless Steel (MY)

### Standards

Stainless steel sheet to BS EN 10088:Part 2:2005

### Options

- S2823** Calder stainless steel washing trough 120cm long for wall mounted bib taps, central outlet with domed 2" waste
- S2825** Calder stainless steel washing trough 180cm long, 3 taphole positions, central outlet with 2" domed waste
- S2826** Calder stainless steel washing trough 240cm long, 4 taphole positions, central outlet with 2" domed waste
- S2827** Calder stainless steel washing trough 180cm long for wall mounted bib taps, central outlet with 2" domed waste
- S2828** Calder stainless steel washing trough 240cm long for wall mounted bib taps, central outlet with 2" domed screws
- S0384** Calder stainless steel washing trough 300cm long, 5 taphole positions, central outlet with 2" domed waste

### Special notes

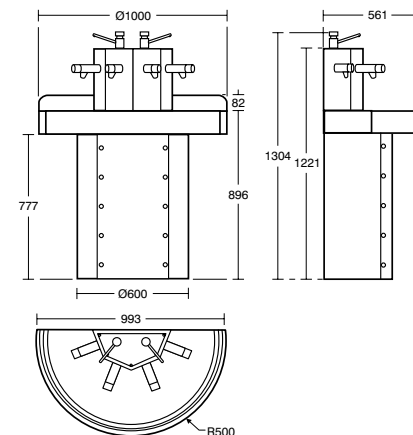
Consideration should be given to safe hot water delivery and the use of an appropriate temperature reduction device see A5900 or Part G for guidance.



## Wash Troughs

# Contour 21

4 person troughs  
Wash troughs offer a highly efficient washroom solutions especially in busy areas. There are 3 sizes in the range with all offering durability and easy maintenance.



November 2017	
Uniclass PR_40_20	CAWS N13
C/SFB	(74)

ARMITAGE SHANKS

Complete integral washing solution  
Space optimisation  
Fully accessible through access panels  
Soap dispenser options

Options for wall fixing or free standing  
Ideal for busy washrooms to increase throughput

Durable  
Self closing and electronic options available  
Low maintenance

### Illustrated

- S2911** Contour 21 stainless steel semi circular 4 person trough with self closing taps and soap dispensers

### Material

Stainless Steel

### Weight

49.0kg

### Finishes

Stainless Steel finish (MY)

### Options

- S2910** Contour 21 stainless steel semi circular 4 person trough with self closing taps
- S2912** Contour 21 stainless steel semi circular 4 person trough with automatic taps
- S2913** Contour 21 stainless steel semi circular 4 person trough with automatic taps and soap dispensers

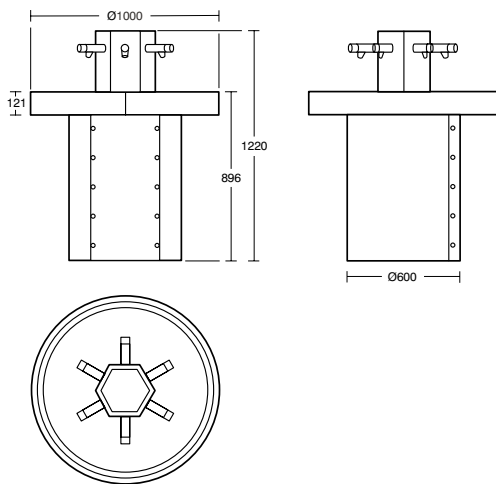


## Wash Troughs

# Contour 21

## 6 person troughs

Wash troughs offer a highly efficient washroom solutions especially in busy areas. There are 3 sizes in the range with all offering durability and easy maintenance.



November 2017	
Uniclass PR_40_20	CAWS N13
C/SFB	(74)

ARMITAGE SHANKS

- Complete integral washing solution
- Space optimisation
- Fully accessible through access panels
- Soap dispenser options
- Ideal for busy washrooms to increase throughput
- Durable
- Self closing and electronic options available
- Low maintenance

**Illustrated**  
**S2914** Contour 21 stainless steel circular 6 person trough with self closing taps

**Material**  
Stainless Steel

**Weight**  
66.0kg

**Finishes**  
Available in Stainless Steel (MY)

**Standards**  
Stainless steel sheet to BS EN 10088:Part 2:2005

**Options**  
**S2915** Contour 21 stainless steel circular 6 person trough with self closing taps and soap dispensers  
**S2916** Contour 21 stainless steel circular 6 person trough with automatic taps  
**S2917** Contour 21 stainless steel circular 6 person trough with automatic taps and soap dispensers

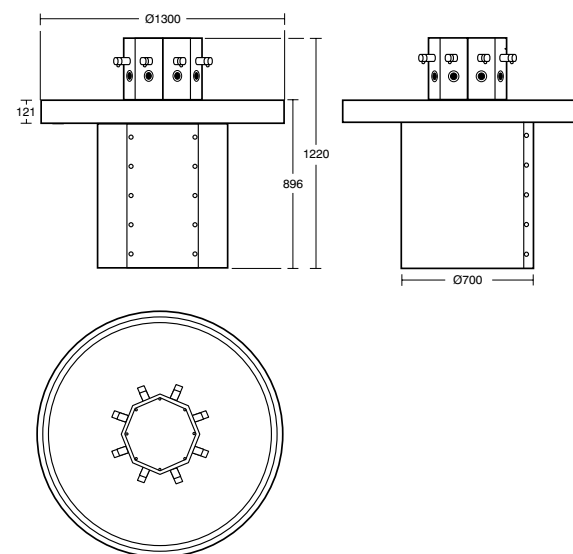


## Wash Troughs

# Contour 21

## 8 person troughs

Wash troughs offer a highly efficient washroom solutions especially in busy areas. There are 3 sizes in the range with all offering durability and easy maintenance.



November 2017	
Uniclass PR_40_20	CAWS N13
C/SFB	(74)

ARMITAGE SHANKS

- Complete integral washing solution
- Space optimisation
- Fully accessible through access panels
- Soap dispenser options
- Ideal for busy washrooms to increase throughput
- Durable
- Self closing and electronic options available
- Low maintenance

**Illustrated**  
**S2923** Contour 21 stainless steel circular 8 person trough with automatic taps

**Material**  
Stainless Steel

**Weight**  
86.0kg

**Finishes**  
Available in Stainless Steel (MY)

**Options**  
**S2918** Contour 21 stainless steel circular 8 person trough with self closing taps  
**S2919** Contour 21 stainless steel circular 8 person trough with self closing taps and soap dispensers  
**S2926** Contour 21 stainless steel circular 8 person trough with automatic taps and soap dispensers





Uniclass PR_40_20	CAWS N13
C/SFB	(74)

Stainless Steel

Wash Troughs

# Brassware

Contract

5:1:1



## Icon key

-  Residential
-  Public Places
-  Water Savings
-  Hospitals & Healthcare
-  Disabled Access
-  Doc M Compliant
-  Education
-  Spacesaving
-  Hotels
-  Anti-vandal

Uniclass PR_40_20	CAWS N13
CI/SFB	(74)

Uniclass PR_40_20	CAWS N13
CI/SFB	(74)

# Brassware

## Contract

Contract

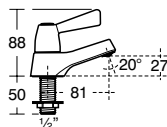
Brassware

Brassware

# Alterna 21

## basin pillar taps

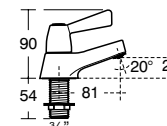
Alterna 21 pillar taps are designed for use in social housing, residential homes, schools, commercial kitchens and any high use washroom.



# Alterna 21

## bath pillar taps

Alterna 21 pillar taps are designed for use in social housing, residential homes, schools, commercial kitchens and any high use washroom.



November 2017	
Uniclass PR_40_20	CAWS N13
C/S/F/B	(74)

### ARMITAGE SHANKS

- Lever handles
- Quarter turn ceramic disc valves
- Brass backnuts
- Easy to use
- Flow straightener for low splash

#### Illustrated

**B1678** Alterna 21 pillar taps 1/2" lever handles pair

#### Material

Chrome Plated Brass

#### Weight

1.2kg

#### Finishes

Chrome (AA)

#### Special notes

Consideration should be given to safe hot water delivery and the use of an appropriate temperature reduction device see A5900 or Part G for guidance. Flow rate 8.3 litres per minute @ 0.1 bar (per tap).

WRAS NO. 1703026



### ARMITAGE SHANKS

- Lever handles
- Quarter turn ceramic disc valves
- Brass backnuts
- Easy to use
- Flow straightener for low splash

#### Illustrated

**B1680** Alterna 21 pillar taps 3/4" lever handles, pair

#### Material

Chrome Plated Brass

#### Weight

1.6kg

#### Finishes

Chrome (AA)

#### Special notes

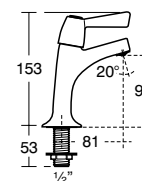
Consideration should be given to safe hot water delivery and the use of an appropriate temperature reduction device see A5901 or Part G for guidance. Flow rate 9 litres per minute @ 0.1 bar (per tap). WRAS NO. 1703026



# Alterna 21

## high neck pillar taps

Alterna 21 pillar taps are designed for use in social housing, residential homes, schools, commercial kitchens and any high use washroom.



November 2017	
Uniclass PR_40_20	CAWS N13
C/S/F/B	(74)

### ARMITAGE SHANKS

- Lever handles
- Quarter turn ceramic disc valves
- Brass backnuts
- Easy to use
- Flow straightener for low splash

#### Illustrated

**B1679** Alterna 21 high neck pillar taps 1/2" lever handles pair

#### Material

Chrome Plated Brass

#### Weight

1.5kg

#### Finishes

Chrome (AA)

#### Special notes

Flow rate 7.5 litres per minute @ 0.1 bar (per tap).  
WRAS NO. 1703026

