

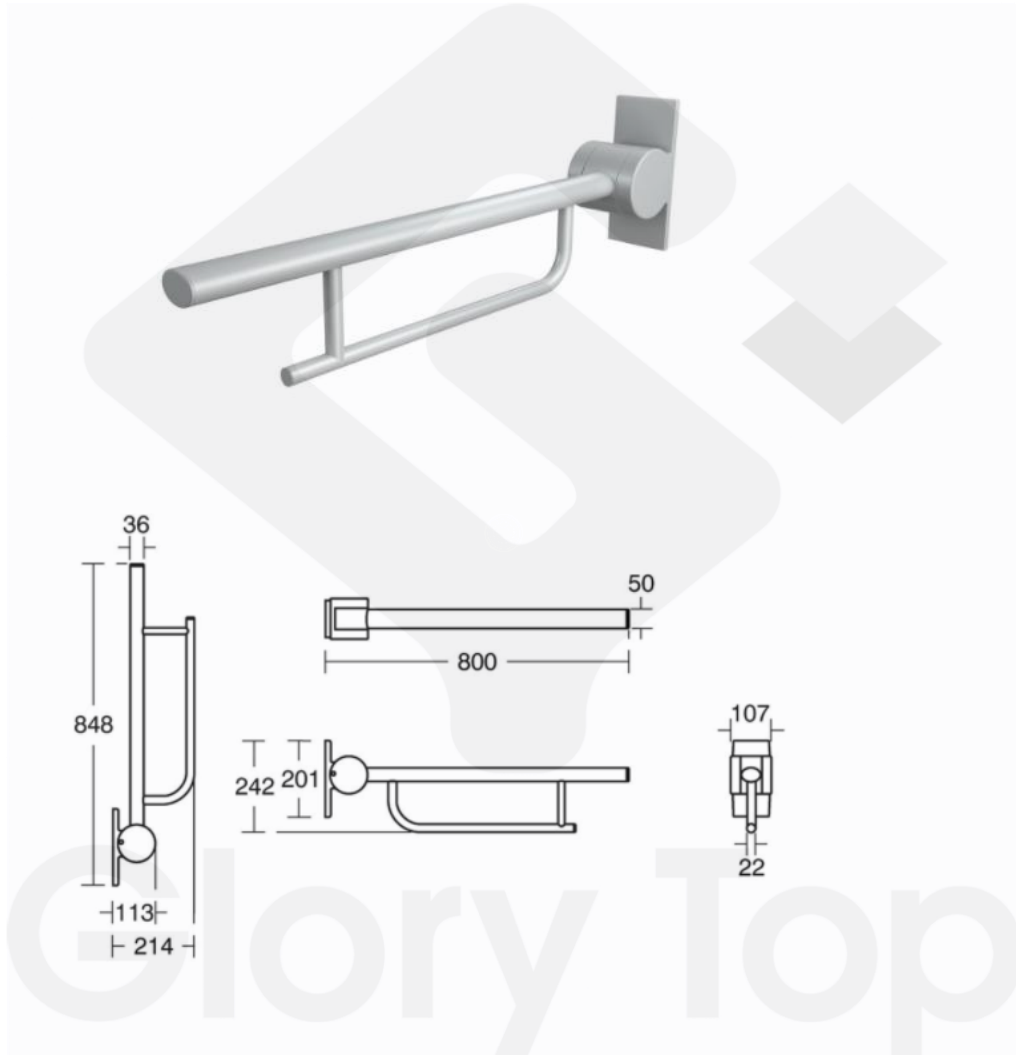
Grab Bar

Product

S6360AC

Description

'Contour 21' epoxy / polyester coated steel hinged support rail 800mm long



Remarks:

Loading test to 150kg. Complies with BFA2008 requirements

Product Details

Brand	Armitage Shanks	Dimension	800mm x 35mm dia
Materials	Epoxy Steel	Country of Origin	United Kingdom (UK)
Finish	White (Smooth)	WELS	-
		WSD Ref. No.	-
		Expiry Date	-

* Information provided above is for reference only and is subject to change without prior notice.



Glory Top Building Materials Ltd
Glory Top Architectural Hardware Ltd
高晉 建築材料有限公司
高晉 五金建材有限公司

T | 3583 8333
E | Info@glorytop.com.hk
W | www.glorytop.com.hk
A | 15/F, 8 Jordan Road, Kowloon